



SUBJECT

Caution, when mounting a HBU 1 bearing with different seals

PRODUCTS DESIGNATIONS

VKBA 6722

CAR MANUFACTURERS - BRANDS



NISSAN: INTERSTAR Van, NV400 Bus, NV400 Platform/ Chassis, NV400 Van
 OPEL: MOVANO B Bus, MOVANO B Platform/ Chassis/ Van
 RENAULT: Master III Bus/ Platform/ Chassis/ VAn



SKF Kit

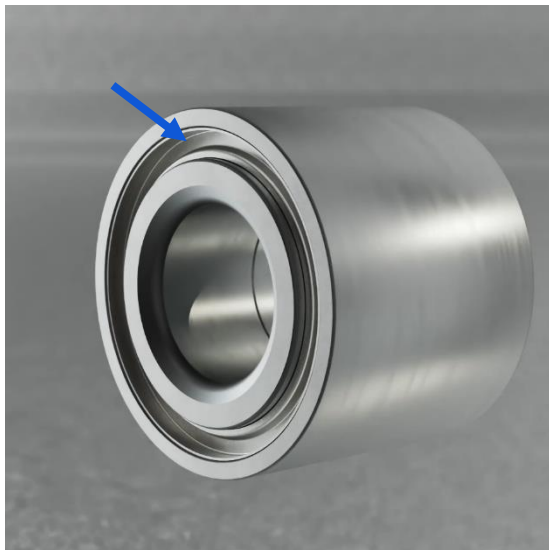
OE number (equivalency)

VKBA 6722

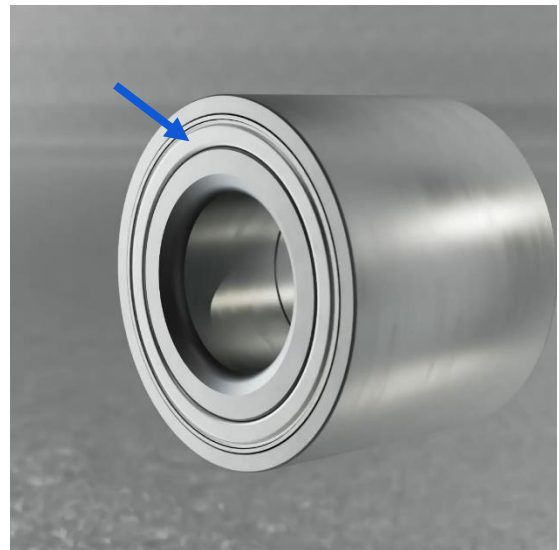
43210-00Q0A, 43210-00Q1B, 44 19 184, 93197150, 95522509,
 43 21 041 77R, 43 21 070 45R

SKF has several HBU 1 bearings containing a flat metal shield with an integrated rubber seal to be mounted on the inboard side and a double bended metal shield placed on the outboard side.

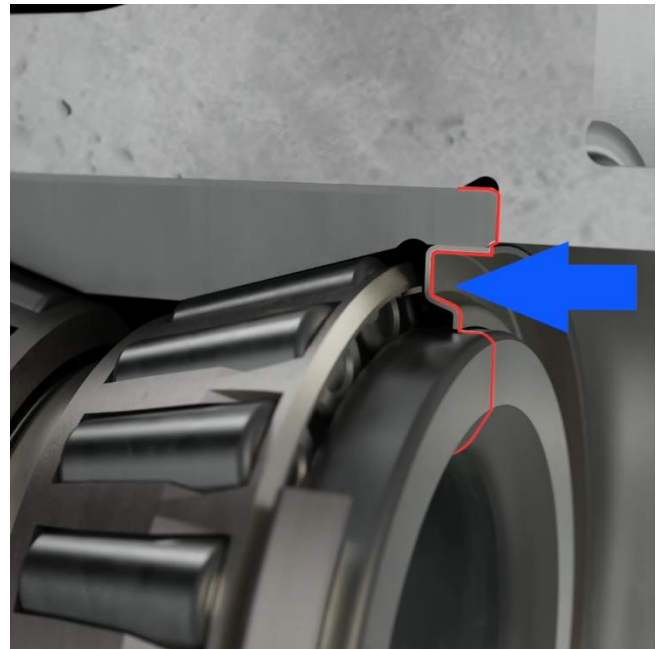
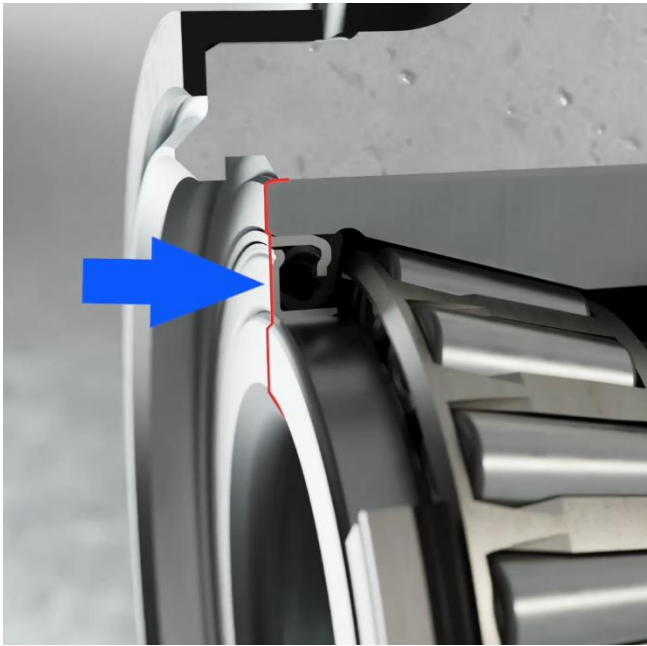
Note: If not mounted this way, you will decrease the lifetime of the bearing.



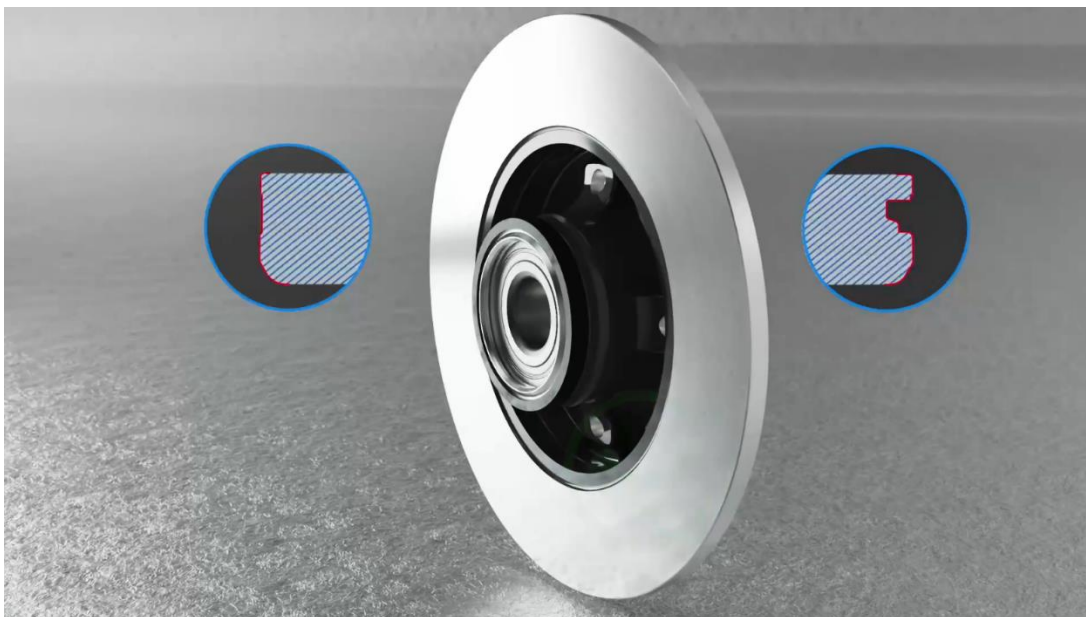
Double bended metal shield –
outboard side



Metal shield with integrated
rubber seal – inboard side



When installing the bearing, always ensure that the flat seal of the wheel bearing is facing inwards (towards the vehicle) and that the seal with the groove is facing outwards (towards the wheel).
Note: Always follow the installation instructions provided by the vehicle manufacturer.

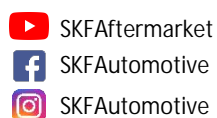


Scan for
mounting video



Scan the QR code or visit
vehicleaftermarket.skf.com
to know more premium
SKF products

Follow us on Social Media



Contact SKF Technical Support
to help resolve your
automotive problems and
answer your questions:
helpline@skf.com

SKF®