



VKBA 6722

Technical Bulletin – September 2015

VKBA 6722



Opel/Vauxhall (Movano), Renault (Master III), Nissan (NV400)



Caution, when mounting a HBU 1 bearing with different seals



SKF has several HBU 1 bearings containing a flat metal shield with an integrated rubber seal to be mounted on the inboard side and a double bended metal shield placed on the outboard side.

Note: If not mounted this way, you will decrease the lifetime of the bearing.

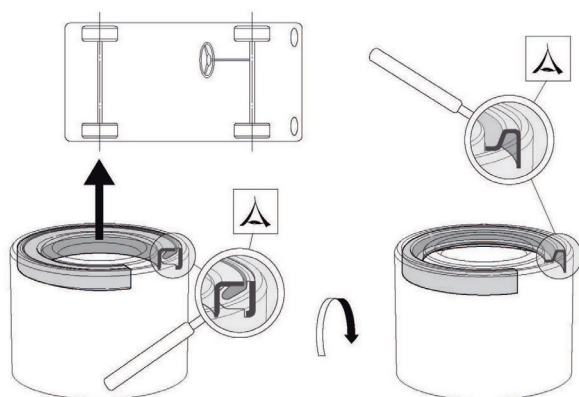
VKBA 6722 is packed with mounting instruction MI-542027 to highlight the importance of a visual check of both sides of the bearing before mounting.



Metal shield with integrated rubber seal – inboard side



Double bended metal shield – outboard side



VKBA 6722



Install confidence
www.vsm.skf.com

© SKF is a registered trademark of the SKF Group.

© SKF Group 2015

The contents of this publication are the copyright of the publisher and may not be reproduced (even extracts) unless written permission is granted. Every care has been taken to ensure the accuracy of the information contained in this publication but no liability can be accepted for any loss or damage whether direct, indirect or consequential arising out of the use of the information contained herein.

