

Transmission Repair Parts for SCANIA GRS905.

GRS(O)905 / GRS(O)905R
GRS0925 / GRS0925R

01.02.2022



CHART 01

Input Shaft & Main Shaft

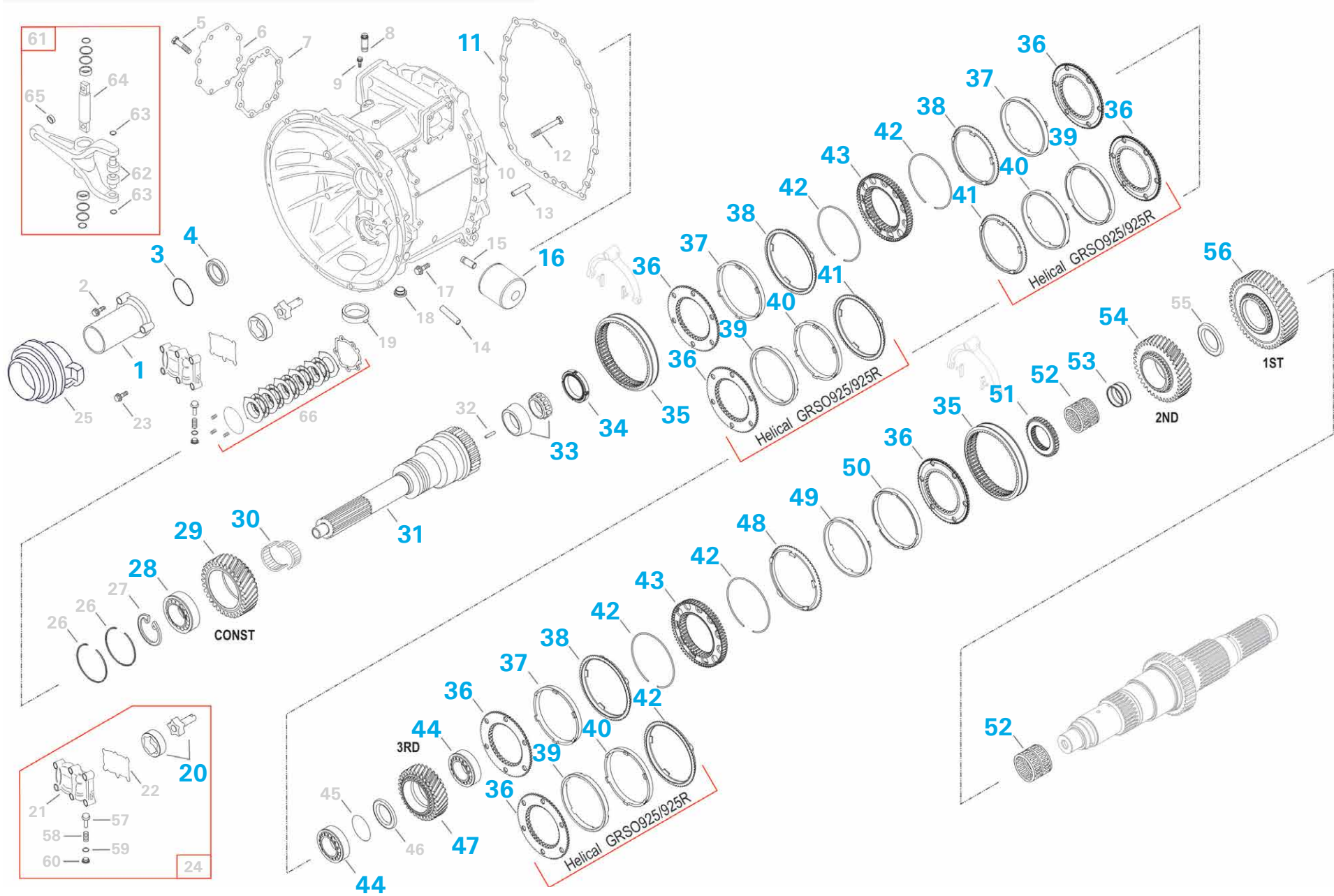


FIG.	ZF	SCANIA*	Description	Qty	Notes
1	0073.301.423	1490549	Guide Tube, clutch	1	
3	0073.301.424	1503399	Seal, trans. input shaft (manual transmission) (84X3X90,50)	1	
4	0073.301.402	2425395	Seal, trans. input shaft (manual transmission) (55X75X9)	1	
11	0073.301.426	2609830	Oil Seal, manual transmission	1	
16	5961.307.905	2002705	Oil Filter	1	
20	0073.301.425	1526232	Oil Pump, manual transmission	1	Old
28	0073.301.401	1327878	Mounting, manual transmission (65X150X38)	1	
29	0073.301.083	2409386	Gear, countershaft (32T.)	1	GRS905/905R
29	0073.301.427	2479241	Gear, main shaft (40T.)	1	GRSO905/905R/GRSO925/925R
30	0073.301.409	372778	Bearing, transmission input shaft (manual transmission) (92X100X44)	1	
31	0073.301.080	1907385	Transmission Input Shaft, manual transmission (36T.)	1	1769962
31	0073.301.428	1824510	Transmission Input Shaft, manual transmission (36T.)	1	EK-PTO
31	0073.301.455	2429075	Transmission Input Shaft, manual transmission (36T.)	1	(H)
33	0073.301.405	1548817	Mounting, manual transmission (40X85X33)	1	
34	0073.301.077	2094066	Groove Nut (M60X1,5)	1	
35	0073.301.096	1752963	Gearshift Sleeve, manual transmission (66T.)	2	
36	0073.301.028	1495269	Synchronizer Ring, manual transmission (66-36T.)	4	
37	0073.301.101	1849451	Synchronizer Ring, manual transmission	3	Except Helical GRSO925/925R
38	0073.301.094	1543357	Synchronizer Ring, manual transmission (66T.)	3	Except Helical GRSO925/925R
39	0073.301.103	1849457	Synchronizer Ring, manual transmission	3	Helical GRSO925/925R

(H) New Version with M64x1,50 Grooved Nut

(X) With New Countershaft Version - New Oil pump Shaft head and Countershaft hole shape

* For complete list of ex numbers please see: aftermarket.zf.com/catalog

CHART 01

Input Shaft & Main Shaft

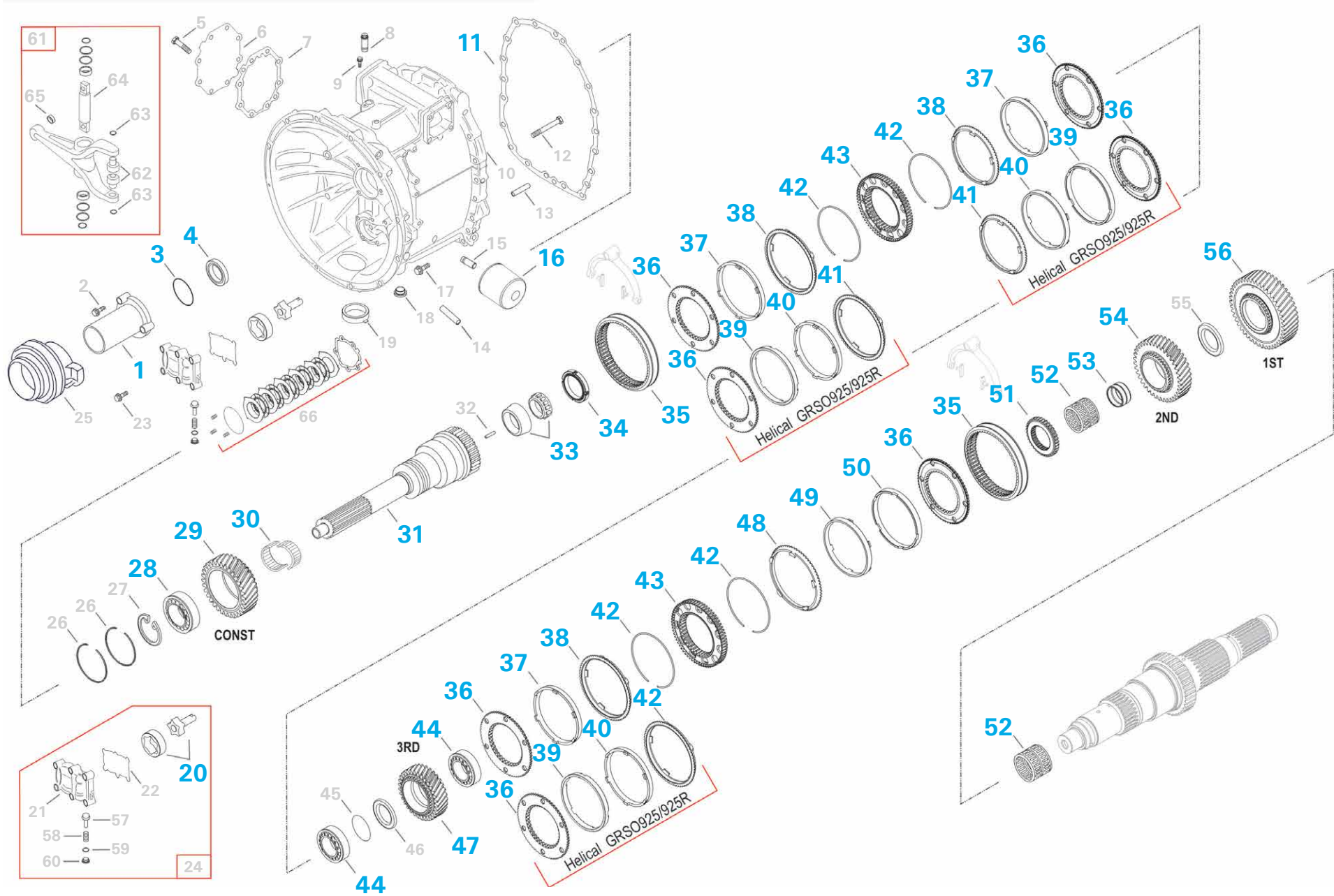


FIG.	ZF	SCANIA*	Description	Qty	Notes
40	0073.301.102	1849454	Synchronizer Ring, manual transmission	3	Helical GRSO925/925R
41	0073.301.095	1543359	Synchronizer Ring, manual transmission (66T.)	3	Helical GRSO925/925R
42	0073.301.422	1831463	Assortment, circlips	4	
43	0073.301.097	1788922	Synchronizer Body, manual transmission (66-36T.)	2	
44	0073.301.406	1548056	Mounting, manual transmission (65X110X31)	2	
47	0073.301.087	2028686	3RD Gear, countershaft (32T.)	1	GRS905/905R - GRSO905/905R
48	0073.301.095	1543359	Synchronizer Ring, manual transmission (66T.)	1	
49	0073.301.102	1849454	Synchronizer Ring, manual transmission	1	
50	0073.301.103	1849457	Synchronizer Ring, manual transmission	1	
51	0073.301.098	2260564	Synchronizer Body, manual transmission (36-29T.)	1	
52	0073.301.431	1774165	Bearing, transmission input shaft (manual transmission) (90X98X54,5)	2	
53	0073.301.432	1769457	Centering Bush, propshaft (90X80X55)	1	
54	0073.301.091	2190276	2ND Gear, countershaft (38T.)	1	GRS905/905R - GRSO905/905R
56	0073.301.084	2034853	1ST Gear, countershaft (46T.)	1	

* For complete list of ex numbers please see: aftermarket.zf.com/catalog

(H) New Version with M64x1,50 Grooved Nut

(X) With New Countershaft Version - New Oil pump Shaft head and Countershaft hole shape

CHART 02 Main Shaft

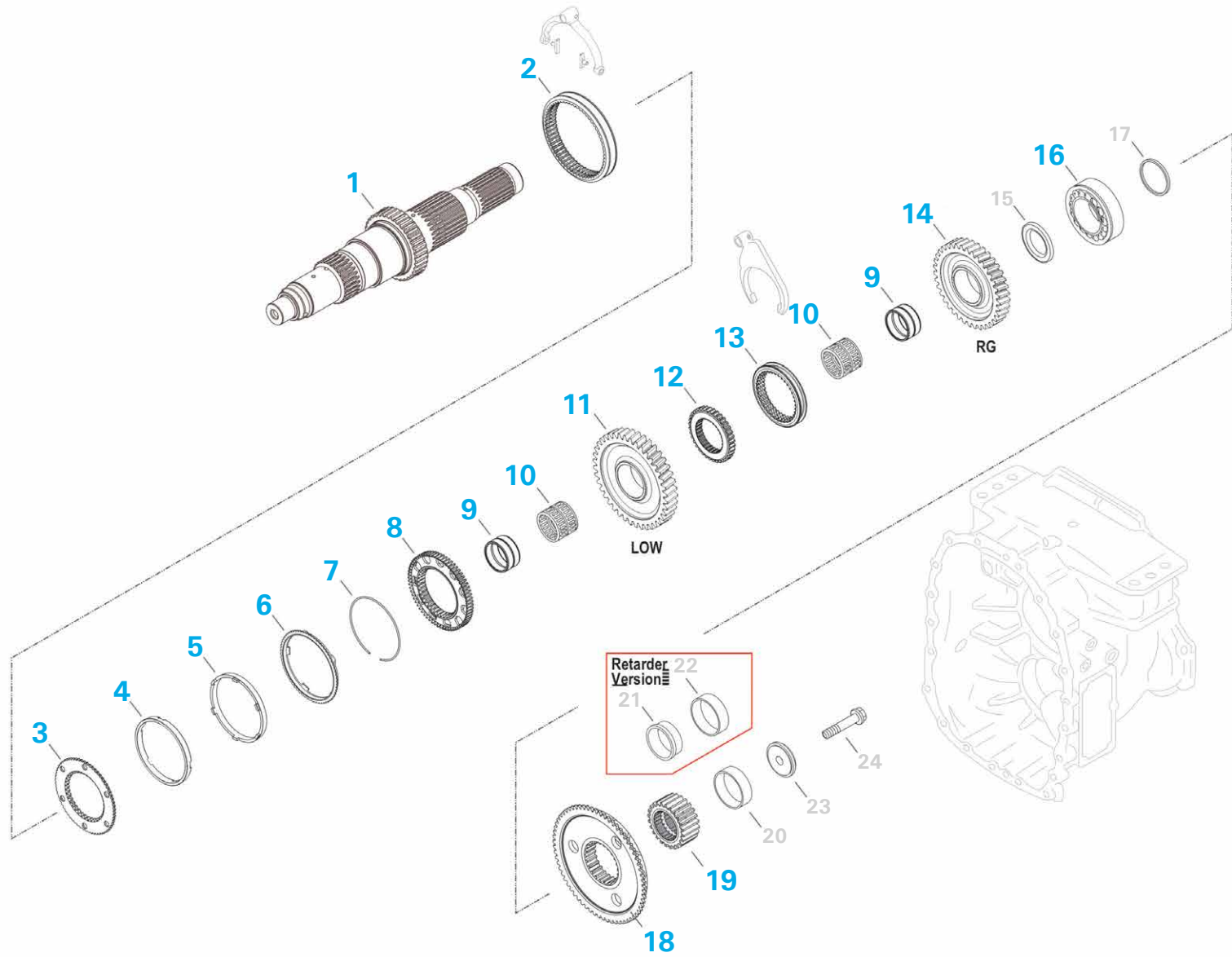


FIG.	ZF	SCANIA*	Description	Qty	Notes
1	0073.301.081	1907384	Main Shaft, manual transmission (29-36-29-24T.)	1	
1	0073.301.456	2483431	Main Shaft, manual transmission (29-36-29-24T.)	1	(H)/ With M64 x 1,50 Nut
2	0073.301.096	1752963	Gearshift Sleeve, manual transmission (66T.)	1	
3	0073.301.027	1495267	Synchronizer Ring, manual transmission (66-36T.)	1	
4	0073.301.100	1849460	Synchronizer Ring, manual transmission	1	
5	0073.301.102	1849454	Synchronizer Ring, manual transmission	1	
6	0073.301.099	1828869	Synchronizer Ring, manual transmission (66T.)	1	
7	0073.301.422	1831463	Assortment, circlips	1	
8	0073.301.097	1788922	Synchronizer Body, manual transmission (66-36T.)	1	
9	0073.301.433	1476287	Centering Bush, propshaft (90X80X46,10)	2	
10	0073.301.315	1476286	Bearing, transmission input shaft (manual transmission) (90X98X45,5)	2	
11	0073.301.089	2424620	LOW SPEED Gear, main shaft (40T.)	1	
12	0073.301.098	2260564	Synchronizer Body, manual transmission (36-29T.)	1	
13	0073.301.093	2424734	Gearshift Sleeve, manual transmission (36T.)	1	
14	0073.301.090	2424621	Pulley, reverse gear (36T.)	1	
16	0073.301.401	1327878	Mounting, manual transmission (65X150X38)	1	
18	0073.301.404	1788171	Synchronizer Cone, speed change gear (66-24T.)	1	(C) / 8° 30' Angle
18	0073.301.105	1883352	Synchronizer Cone, speed change gear (66-24T.)	1	(D) / 7° 30' Angle

(C) To be coupled together - Old Generation with 8° 30' Cone
(D) To be coupled together - New Generation with 7° 30' Cone
(E) To be coupled together - New Generation with 7° 30' Cone in CARBON
(F) To be coupled together - Latest Generation with 6° 45' Cone with HELICAL Reduction Unit (GP)
(H) New Version with M64x1,5 Grooved Nut

* For complete list of ex numbers please see: aftermarket.zf.com/catalog

CHART 02 Main Shaft

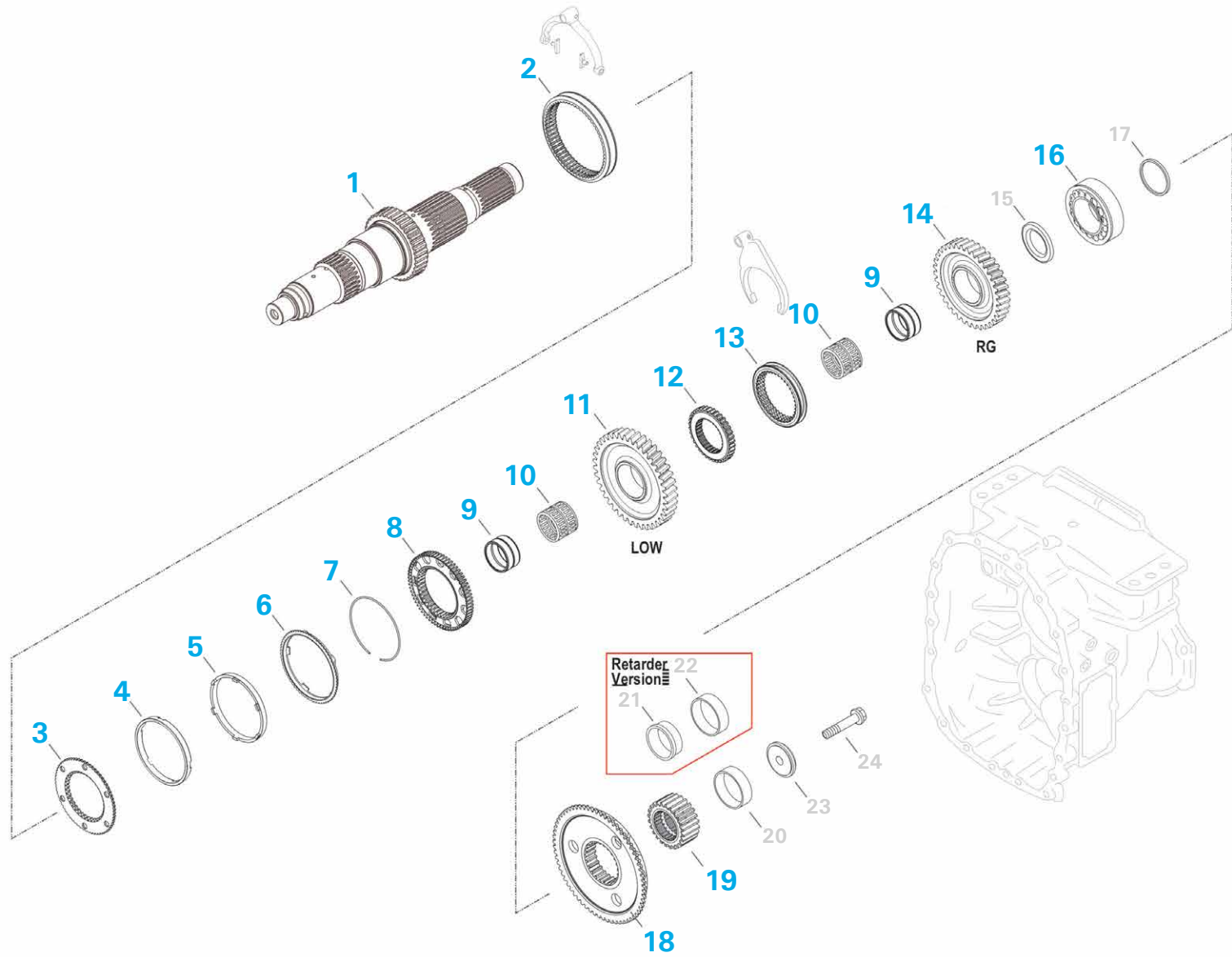


FIG.	ZF	SCANIA*	Description	Qty	Notes
18	0073.301.435	1926257	Synchronizer Cone, speed change gear (66-24T.)	1	(E) / 7° 30' Angle
19	0073.301.088	2034857	Gear, main shaft (24T.)	1	
19	0073.301.462	2149583	Gear, main shaft (28T.)	1	Helical

(C) To be coupled together - Old Generation with 8° 30' Cone

(D) To be coupled together - New Generation with 7° 30' Cone

(E) To be coupled together - New Generation with 7° 30' Cone in CARBON

(F) To be coupled together - Latest Generation with 6° 45' Cone with HELICAL Reduction Unit (GP)

(H) New Version with M64x1,5 Grooved Nut

* For complete list of ex numbers please see: aftermarket.zf.com/catalog

CHART 03 CounterShaft

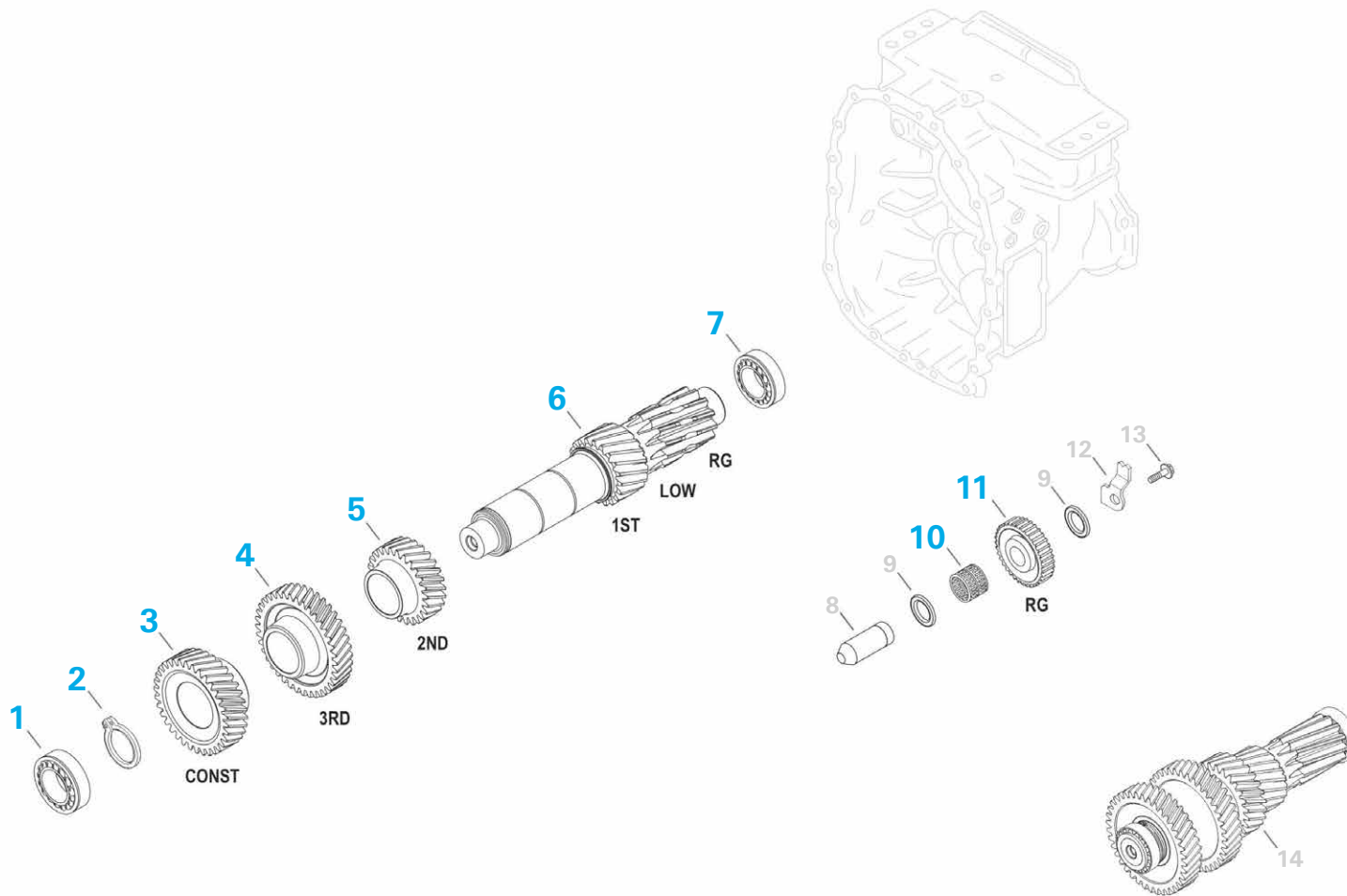


FIG.	ZF	SCANIA*	Description	Qty	Notes
1	0073.301.074	1903570	Bearing, transmission output shaft (manual transmission) (50X100X36)	1	
2	0073.301.410	1116481	Assortment, circlips (T.4,00)	1	
3	0073.301.092	2028674	Gear, main shaft (42T.)	1	GRS905/905R
3	0073.301.436	2479242	Main Shaft, manual transmission (34T.)	1	GRSO905/905R / GRSO925/925R
4	0073.301.086	2028687	3RD Gear, main shaft (34T.)	1	GRS905/905R / GRSO905/905R
5	0073.301.085	2028644	2ND Gear, main shaft (26T.)	1	GRS905/905R / GRSO905/905R
6	0073.301.079	2034854	Countershaft, manual transmission (12-20T.)	1	
7	0073.301.072	1523056	Mounting, manual transmission (60X130X33,5)	1	
10	0073.301.411	378615	Bearing, transmission input shaft (manual transmission) (50X62X21,50)	2	
11	0073.301.437	1476272	Pulley, reverse gear (22T.)	1	

CHART 04

Planetary Reduction Unit

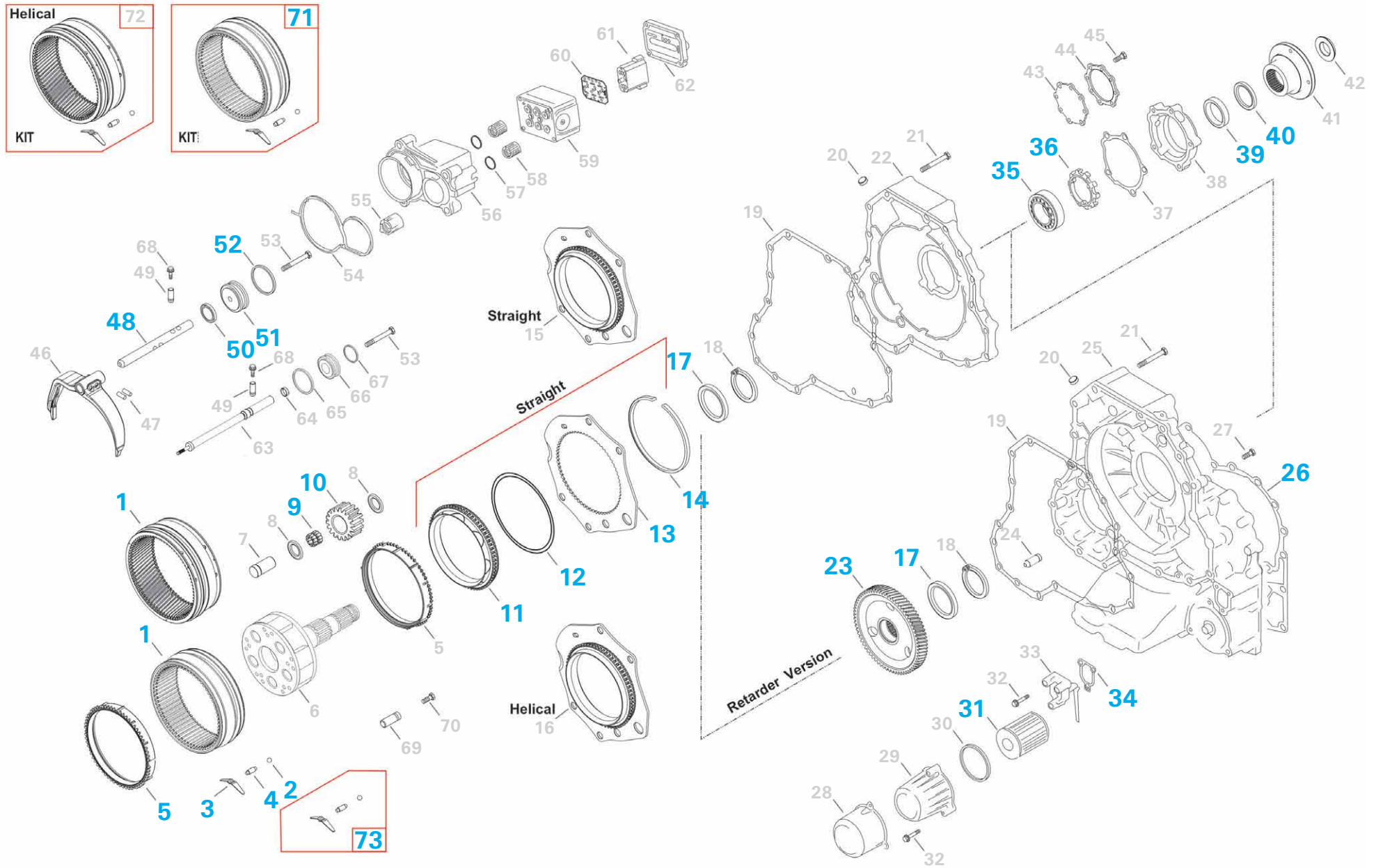


FIG.	ZF	SCANIA*	Description	Qty	Notes
1	0073.301.082	1118030	Gearshift Sleeve, manual transmission (66T.)	1	
2	0073.301.075	871702	Ball (Ø9)	12	
3	0073.301.078	2356253	Retaining Spring	6	
4	0073.301.076	1332508	Pin	6	
5	0073.301.421	1770058	Synchronizer Ring, manual transmission WITH MILLING (66T.)	2	(C) / 8° 30' Angle
5	0073.301.106	1883363	Synchronizer Ring, manual transmission (66T.)	2	(D) / 7° 30' Angle
5	0073.301.412	1925293	Synchronizer Ring, manual transmission CARBON FIBER (66T.)	2	(E) / 7° 30' Angle
9	0073.301.414	389434	Bearing, transmission input shaft (manual transmission) (29X51,5X42,50)	5	
10	0073.301.415	1373174	Gear, main shaft (20T.)	5	
11	0073.301.403	1788170	Synchronizer Cone, speed change gear (66T.)	1	(C) / 8° 30' Angle
11	0073.301.104	1883350	Synchronizer Cone, speed change gear (66T.)	1	(D) / 7° 30' Angle
11	0073.301.416	1926256	Synchronizer Cone, speed change gear (66T.)	1	(E) / 7° 30' Angle
12	0073.301.438	1491380	Spacer ring, transmission shaft (AMT)	1	
13	0073.301.029	2064207	Steel Lining Disc Set, clutch	1	Used with 2000101 or 2000100
14	0073.301.417	1302665	Seal, trans. input shaft (manual transmission) (240X3)	1	
17	0073.301.439	1776070	Steel Lining Disc Set, clutc (T.4,00)	1	
23	0073.301.441	1500145	Retarder Gear, main shaft (70T.)	1	W/ Retarder R3500
26	0073.301.452	1766023	Oil Seal, manual transmission	1	W/ Retarder
31	5961.307.906	1381235	Filter, operating hydraulics	1	W/ Retarder

(C) To be coupled together - Old Generation with 8° 30' Cone

(D) To be coupled together - New Generation with 7° 30' Cone

(E) To be coupled together - New Generation with 7° 30' Cone in CARBON

(F) To be coupled together - Latest Generation with 6° 45' Cone with HELICAL Reduction Unit (GP)

* For complete list of ex numbers please see: aftermarket.zf.com/catalog

CHART 04

Planetary Reduction Unit

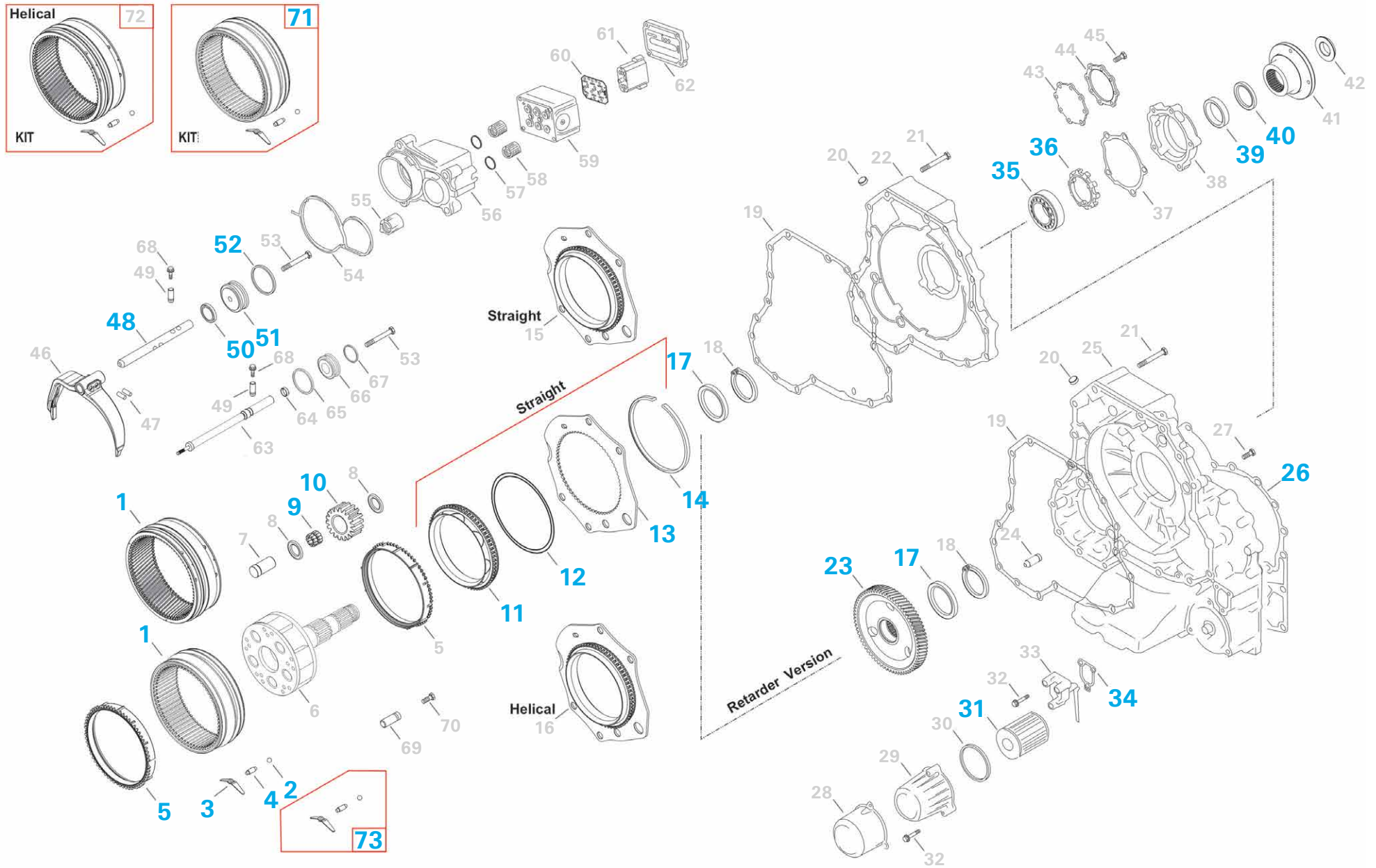


FIG.	ZF	SCANIA*	Description	Qty	Notes
34	0073.301.443	1762704	Oil Seal, manual transmission	1	W/ Retarder
35	0073.301.073	2114752	Bearing, transmission output shaft (manual transmission) (60X130X31)	1	
36	0073.301.444	1494422	Retainer Ring, synchronizer	1	
39	0073.301.419	1300977	Seal, trans. input shaft (manual transmission) (119X133,5X14,5)	1	
40	0073.301.418	1502384	Seal, trans. input shaft (manual transmission) (85X105X12/18)	1	
48	0073.301.445	1853331	Switching shaft, automated manual transmission (AMT)	1	
50	0073.301.454	1784975	Seal, trans. input shaft (manual transmission) (10,5X36X23,5)	1	
51	0073.301.460	2175257	Gear, main shaft	1	
52	0073.301.458	349353	Seal, trans. input shaft (manual transmission) (79,2X5,7)	1	
71	0073.298.004	1790598	Repair Kit, manual transmission	1	
73	0073.298.005	TAS85456	Repair Kit, manual transmission	1	TAS59284

(C) To be coupled together - Old Generation with 8° 30' Cone

(D) To be coupled together - New Generation with 7° 30' Cone

(E) To be coupled together - New Generation with 7° 30' Cone in CARBON

(F) To be coupled together - Latest Generation with 6° 45' Cone with HELICAL Reduction Unit (GP)

* For complete list of ex numbers please see: aftermarket.zf.com/catalog

CHART 05

Forks

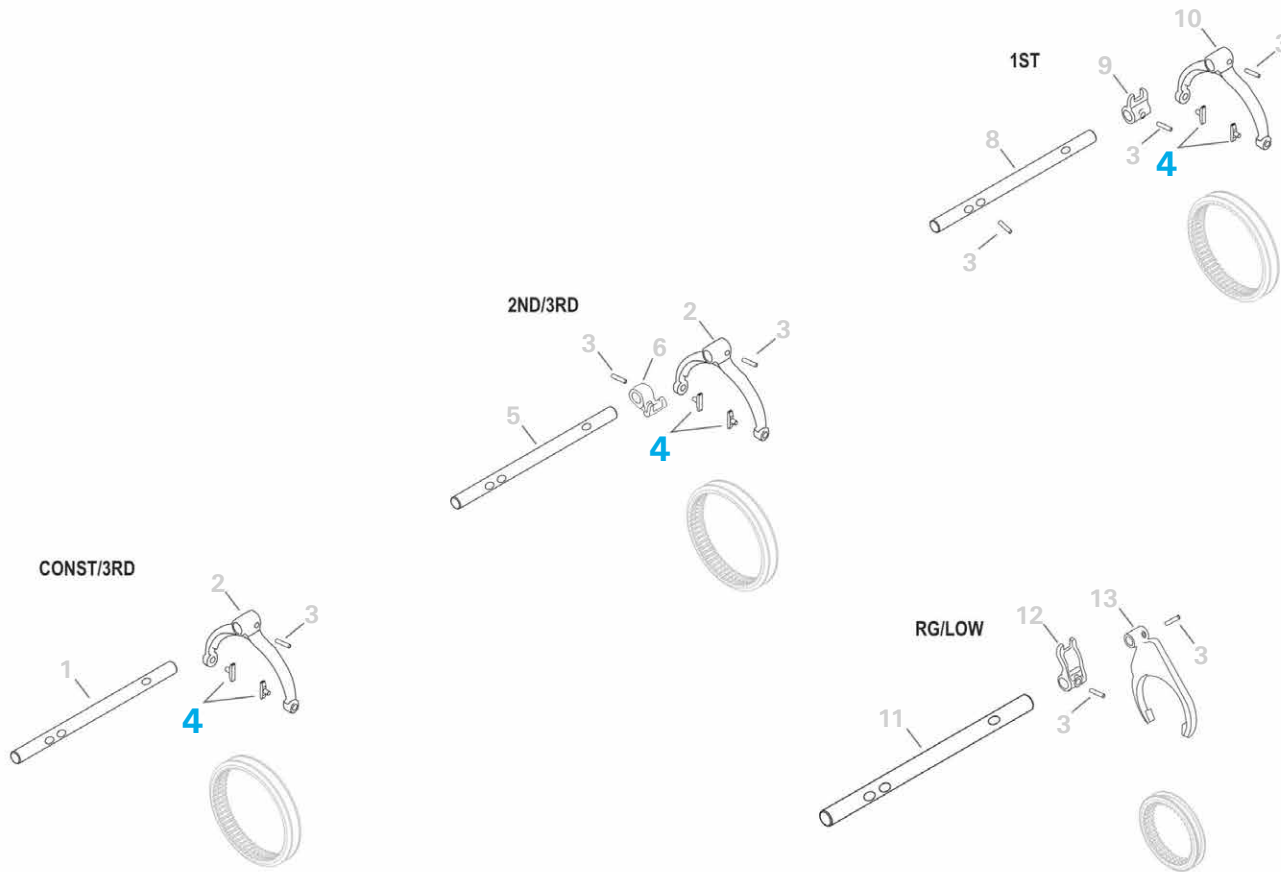


FIG.	ZF	SCANIA*	Description	Qty	Notes
4	0073.301.430	1526229	Synchronizer Body, manual transmission	6	

CHART 06

Retarder

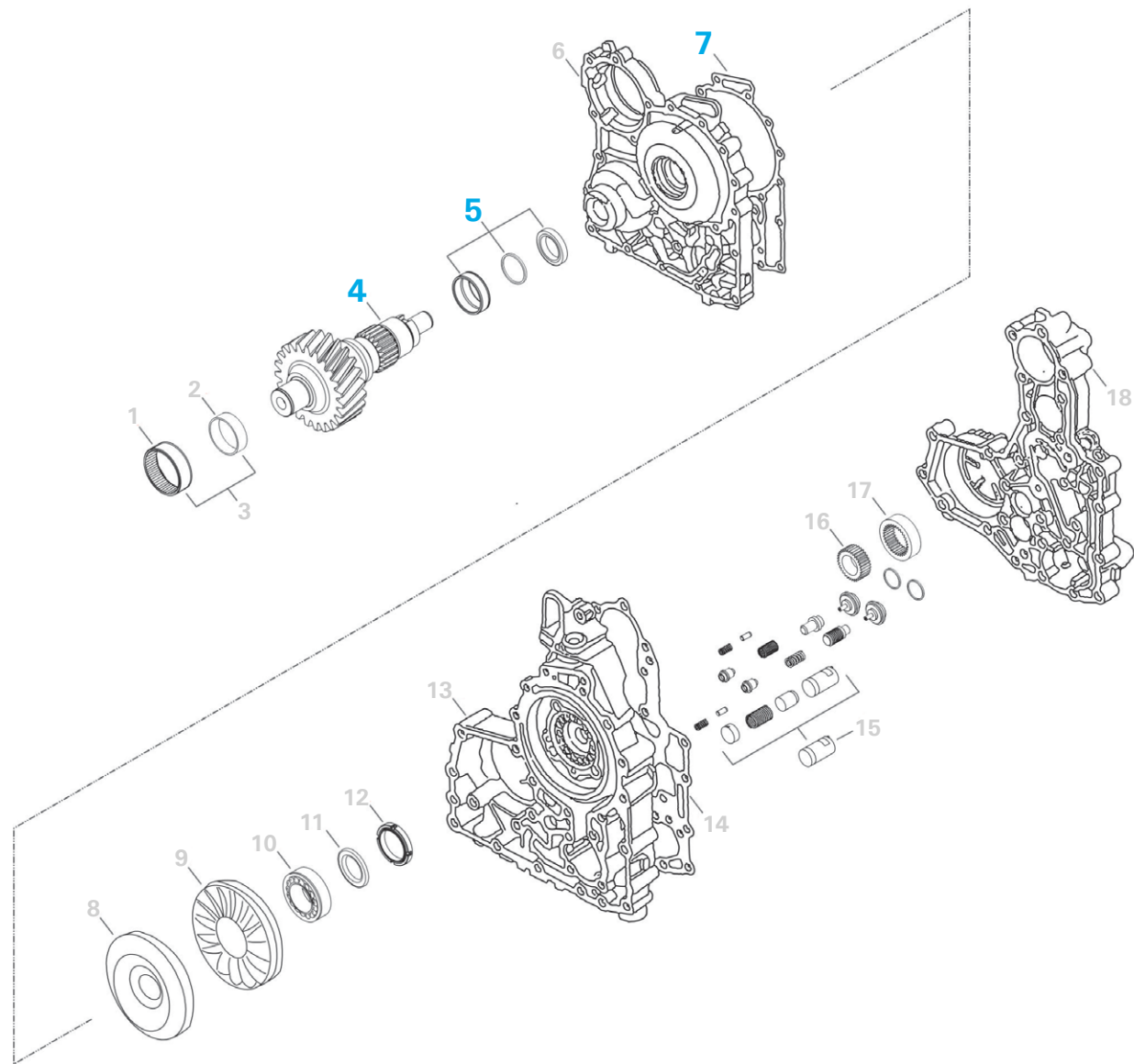


FIG.	ZF	SCANIA*	Description	Qty	Notes
4	0073.301.457	2831672	Drive Shaft, retarder (23T.)	1	R3500 With Ret/Gear T53012 (70Teeth)
5	0073.298.093	1900052	Repair Kit, automatic transmission	1	
7	0073.301.451	1491103	Oil Seal, manual transmission	1	

CHART 07

Repair Kits

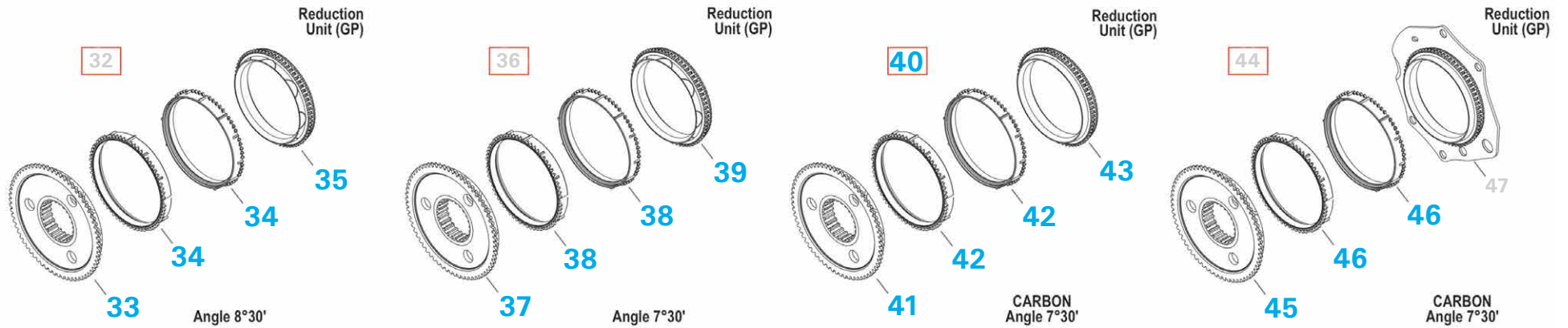
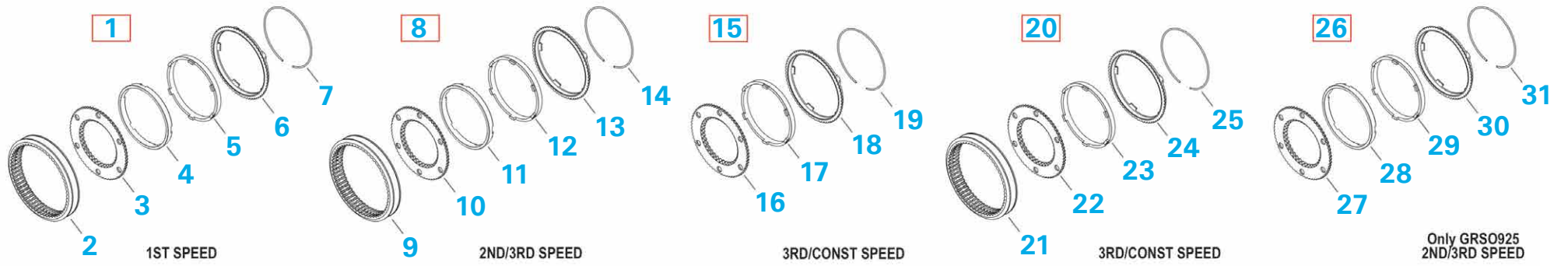


FIG.	ZF	SCANIA*	Description	Qty	Notes
1	0073.298.042	2246173	Repair Kit, manual transmission	1	
2	0073.301.096	1752963	Gearshift Sleeve, manual transmission (66T.)	1	
3	0073.301.027	1495267	Synchronizer Ring, manual transmission (66-36T.)	1	
4	0073.301.100	1849460	Synchronizer Ring, manual transmission	1	
5	0073.301.102	1849454	Synchronizer Ring, manual transmission	1	
6	0073.301.099	1828869	Synchronizer Ring, manual transmission (66T.)	1	
7	0073.301.422	1831463	Assortment, circlips	1	
8	0073.298.043	2246171	Repair Kit, manual transmission	1	
9	0073.301.096	1752963	Gearshift Sleeve, manual transmission (66T.)	1	
10	0073.301.028	1495269	Synchronizer Ring, manual transmission (66-36T.)	1	
11	0073.301.103	1849457	Synchronizer Ring, manual transmission	1	
12	0073.301.102	1849454	Synchronizer Ring, manual transmission	1	
13	0073.301.095	1543359	Synchronizer Ring, manual transmission (66T.)	1	
14	0073.301.422	1831463	Assortment, circlips	1	
15	0073.298.041	2246168	Repair Kit, manual transmission 3RD SPEED & CONSTANT	1	
16	0073.301.028	1495269	Synchronizer Ring, manual transmission (66-36T.)	1	
17	0073.301.101	1849451	Synchronizer Ring, manual transmission	1	
18	0073.301.094	1543357	Synchronizer Ring, manual transmission (66T.)	1	
19	0073.301.422	1831463	Assortment, circlips	1	
20	0073.298.040	2246167	Repair Kit, manual transmission	1	

* For complete list of ex numbers please see: aftermarket.zf.com/catalog

CHART 07

Repair Kits

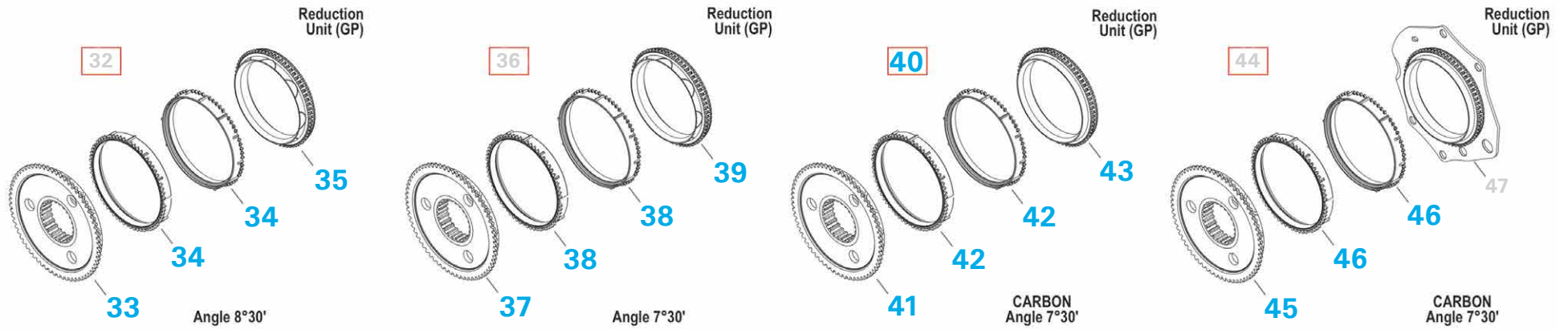
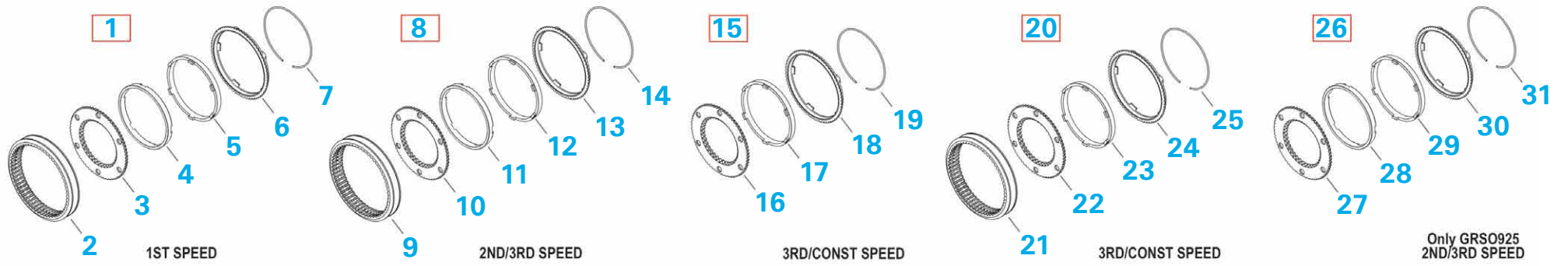


FIG.	ZF	SCANIA*	Description	Qty	Notes
21	0073.301.096	1752963	Gearshift Sleeve, manual transmission (66T.)	1	
22	0073.301.028	1495269	Synchronizer Ring, manual transmission (66-36T.)	1	
23	0073.301.101	1849451	Synchronizer Ring, manual transmission	1	
24	0073.301.094	1543357	Synchronizer Ring, manual transmission(66T.)	1	
25	0073.301.422	1831463	Assortment, circlips	1	
26	0073.298.044	2246172	Repair Kit, manual transmission	1	Only GRSO925/GRSO925R
27	0073.301.028	1495269	Synchronizer Ring, manual transmission (66-36T.)	1	
28	0073.301.103	1849457	Synchronizer Ring, manual transmission	1	
29	0073.301.102	1849454	Synchronizer Ring, manual transmission	1	
30	0073.301.095	1543359	Synchronizer Ring, manual transmission (66T.)	1	
31	0073.301.422	1831463	Assortment, circlips	1	
33	0073.301.404	1788171	Synchronizer Cone, speed change gear (66-24T.)	1	
34	0073.301.421	1770058	Synchronizer Ring, manual transmission (66T.)	2	
35	0073.301.403	1788170	Synchronizer Cone, speed change gear (66T.)	1	
37	0073.301.105	1883352	Synchronizer Cone, speed change gear (66-24T.)	1	
38	0073.301.106	1883363	Synchronizer Ring, manual transmission (66T.)	2	
39	0073.301.104	1883350	Synchronizer Cone, speed change gear (66T.)	1	
40	0073.301.450	TAS55451	Repair Kit, manual transmission 3RD-4TH GENERATION GRS905 (CARBON)	1	Angle 7° 30' CARBON
41	0073.301.435	1926257	Synchronizer Cone, speed change gear (66-24T.)	1	
42	0073.301.412	1925293	Synchronizer Ring, manual transmission CARBON FIBER (66T.)	2	

* For complete list of ex numbers please see: aftermarket.zf.com/catalog

CHART 07

Repair Kits

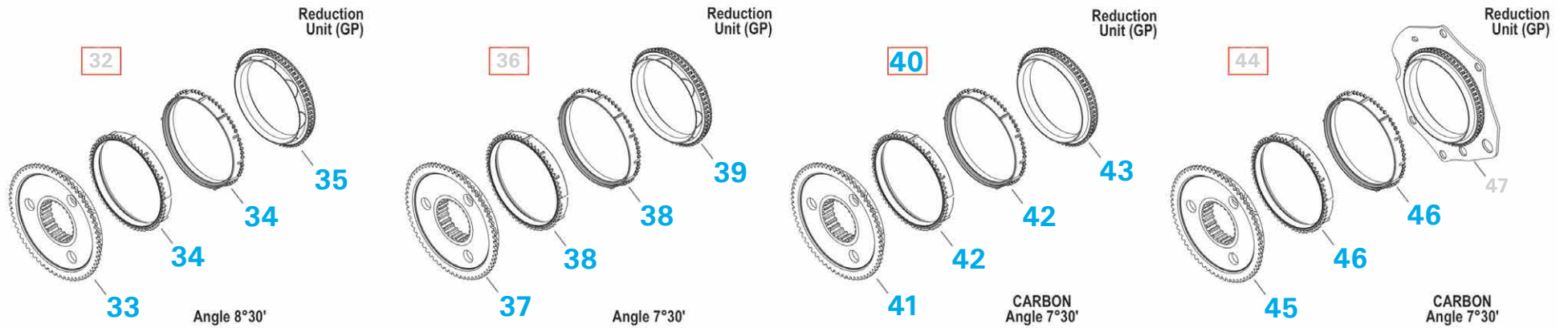
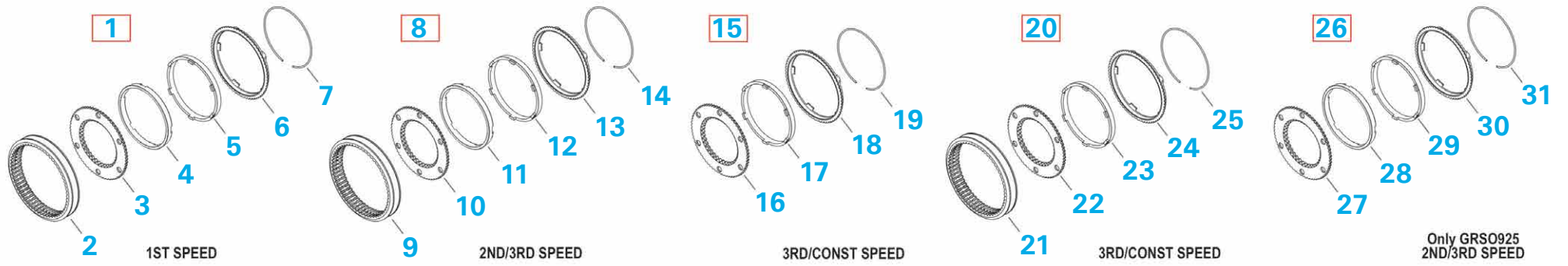


FIG.	ZF	SCANIA*	Description	Qty	Notes
43	0073.301.416	1926256	Synchronizer Cone, speed change gear (66T.)	1	
45	0073.301.435	1926257	Synchronizer Cone, speed change gear (66-24T.)	1	
46	0073.301.412	1925293	Synchronizer Ring, manual transmission CARBON FIBER (66T.)	2	
52	0073.298.089	2200137	Repair Kit, automatic transmission	1	Gearboxes W/out Retarder
52	0073.298.090	2277492	Repair Kit, automatic transmission	1	Gearboxes Whit Retarder
53	0073.298.092	2200142	Repair Kit, automatic transmission	1	Retarder kit Unit

ZF Friedrichshafen AG

ZF Aftermarket
Obere Weiden 12
97424 Schweinfurt
Germany

Phone +49 9721 4756-0
Fax +49 9721 4755000
aftermarket.zf.com



twitter.com/zf_konzern
facebook.com/zfgroup.global
youtube.com/zffriedrichshafenag

Legal disclaimer: The ZF Friedrichshafen AG products described above are specially designed for their specified intended use and may not be used for any other purpose. However, ZF makes neither an explicit nor an implied guarantee for the suitability of the products for certain intended uses neither explicitly agreed nor agreed in writing between ZF and its customers. The details in this flyer are, in particular, not binding with regard to the nature of the products. Only those written agreements made in the ordering process, in particular those concerning the nature of each product, shall be decisive in terms of ZF's contractual obligations. Proper assembly of the products is also a prerequisite for this guarantee. Details in advertising material are non-binding and cannot be consulted in determining the nature of the products. Subject to change without notice. Errors and omissions excepted. **For further information visit: www.zf.com/dis**