

RDW

Vehicle Technology Division

**THE NETHERLANDS
(N E D E R L A N D)**



COMMUNICATION

Concerning: ~~APPROVAL GRANTED~~
~~APPROVAL EXTENDED~~
~~APPROVAL REFUSED~~
~~APPROVAL WITHDRAWN~~
~~PRODUCTION DEFINITELY DISCONTINUED~~

of a type of device pursuant to Regulation No. 7

Approval No.: E4 - 7R - 02 10892

Extension No.: --

Approval mark:

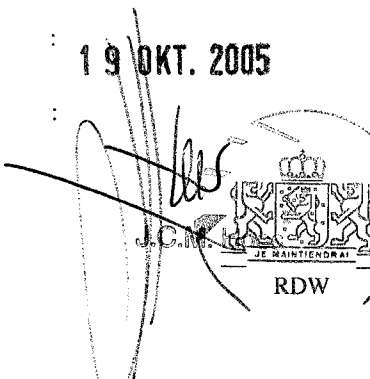


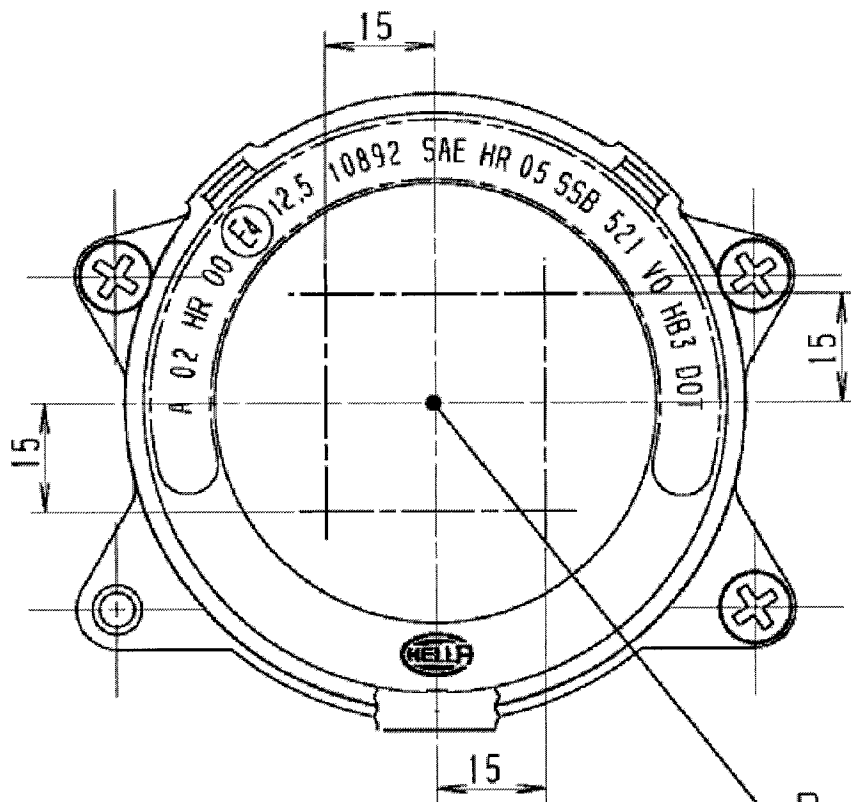
- 1 Trade name or mark of the device : HELLA
- 2 Manufacturer's name for the type of device : 1KL 998.570
- 3 Manufacturer's name and address : Hella Fahrzeugteile Austria GmbH
Fabriksgasse 2,
A-7503 Grosspetersdorf
Austria
- 4 If applicable, name and address of the manufacturer's representative : Sluyter B.V.
Celsiusbaan 2
3430 BJ Nieuwegein
The Netherlands
- 5 Submitted for approval on : 7 October 2005
- 6 Technical service responsible for conducting approval tests : N.V. KEMA



Approval No.: E4 – 7R – 02 10892

Extension No.: --

- 7 Date of report issued by that service : 13 October 2005
- 8 Number of report issued by that service : 2086421-QUA/LTL 05-122
- 9 Concise description:
By category of lamps : A
For mounting either outside or ~~inside or both~~
Colour of light emitted : ~~red~~/selective yellow/white
Number and category of filament lamp(s) : 1 x W3W
Special supply voltage : --
Application of additional supply system : yes/no
Specification of this supply system : --
Switched power supply:
Duty cycle : --
Peak to peak voltage and/or effective voltage : --
Light source module : yes/no
Light source module specific identification code : --
Geometrical conditions of installation and relating variations; if any : --
Only for limited mounting height of equal to or less than 750 mm above the ground : yes/no
- 10 Position of the approval mark : See annexed drawing
- 11 Reason(s) for extension (if applicable) : --
- 12 Approval granted/~~refused/extended/withdrawn~~
- 13 Place : Zoetermeer
- 14 Date : 19 OKT. 2005
- 15 Signature : 
- 16 The list of documents deposited with the Administrative Service which has granted approval is annexed to this communication and may be obtained on request:
- 1 Drawing No. 998570_Z4_TP (annexed).
 - Drawing with outlines of the illuminating surface No. 998570-03_Z1_1 (annexed).
 - Test report as mentioned in item 8



P Bezugspunkt

