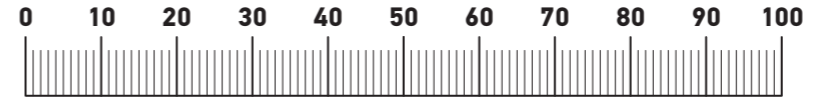


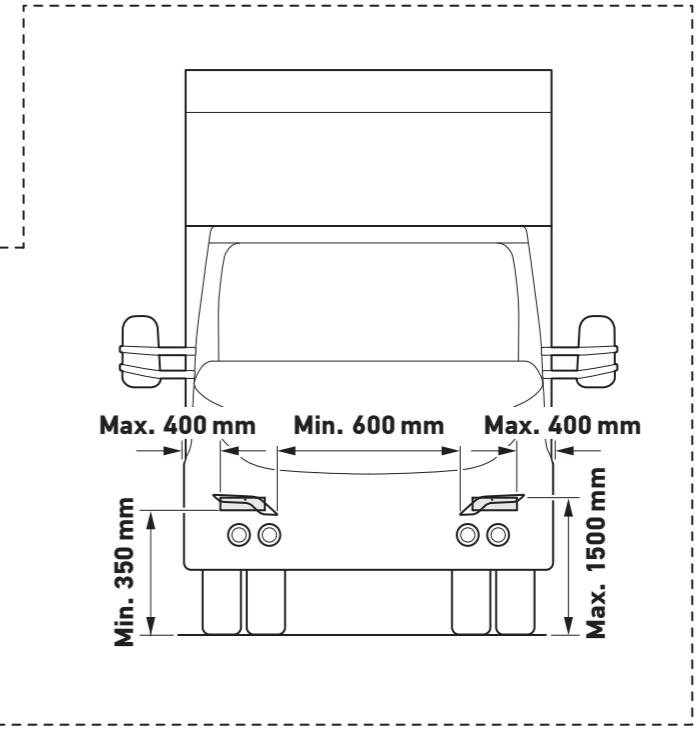
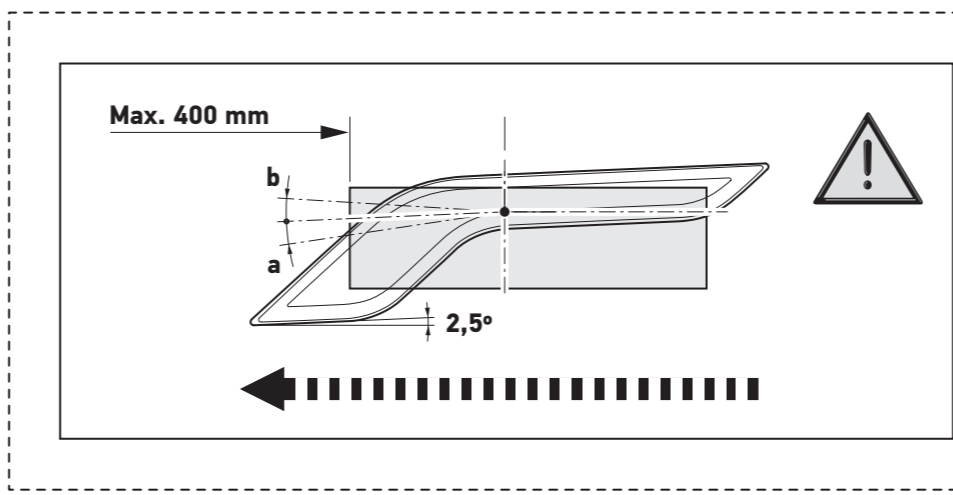
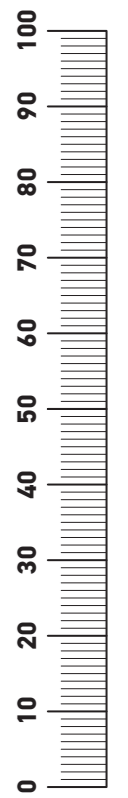
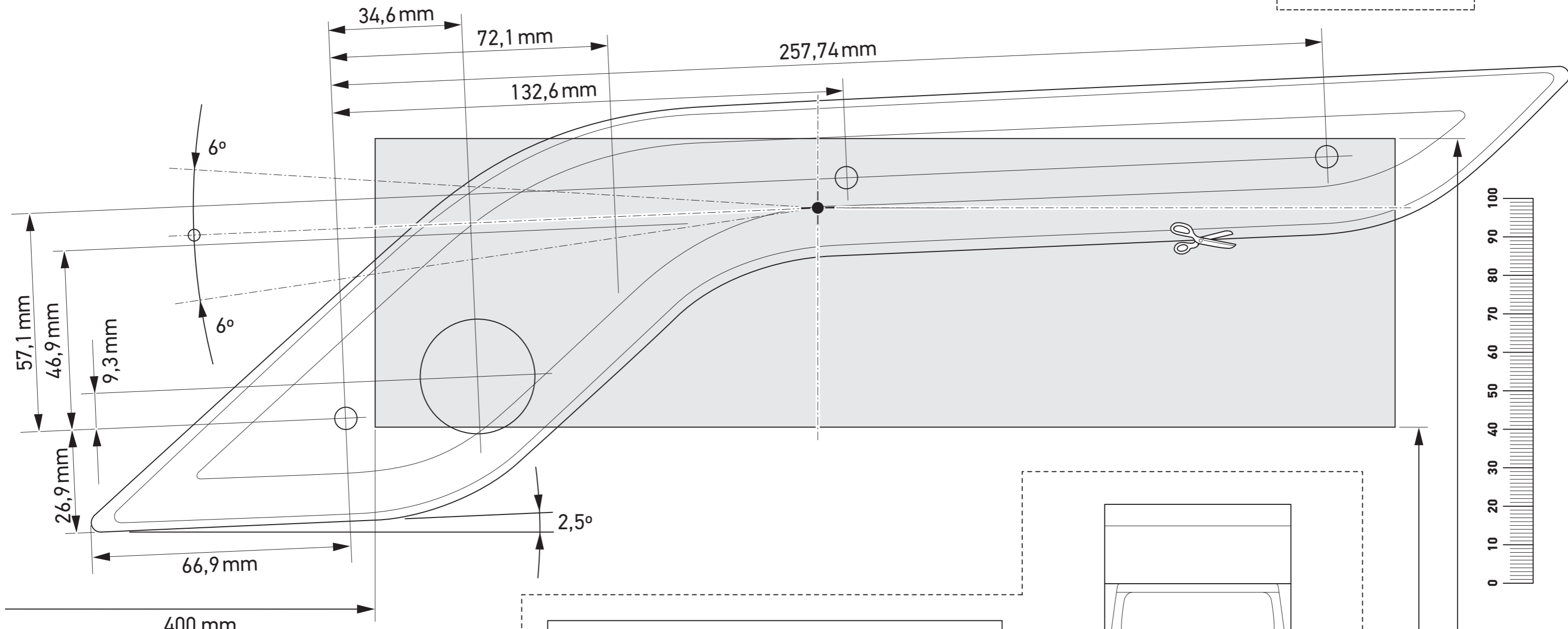


# 2BA 013 334-08



**CHECK SIZE**

Print 100%  
Check with Rulers  
before use.



min 350 mm  
max. 1500 mm