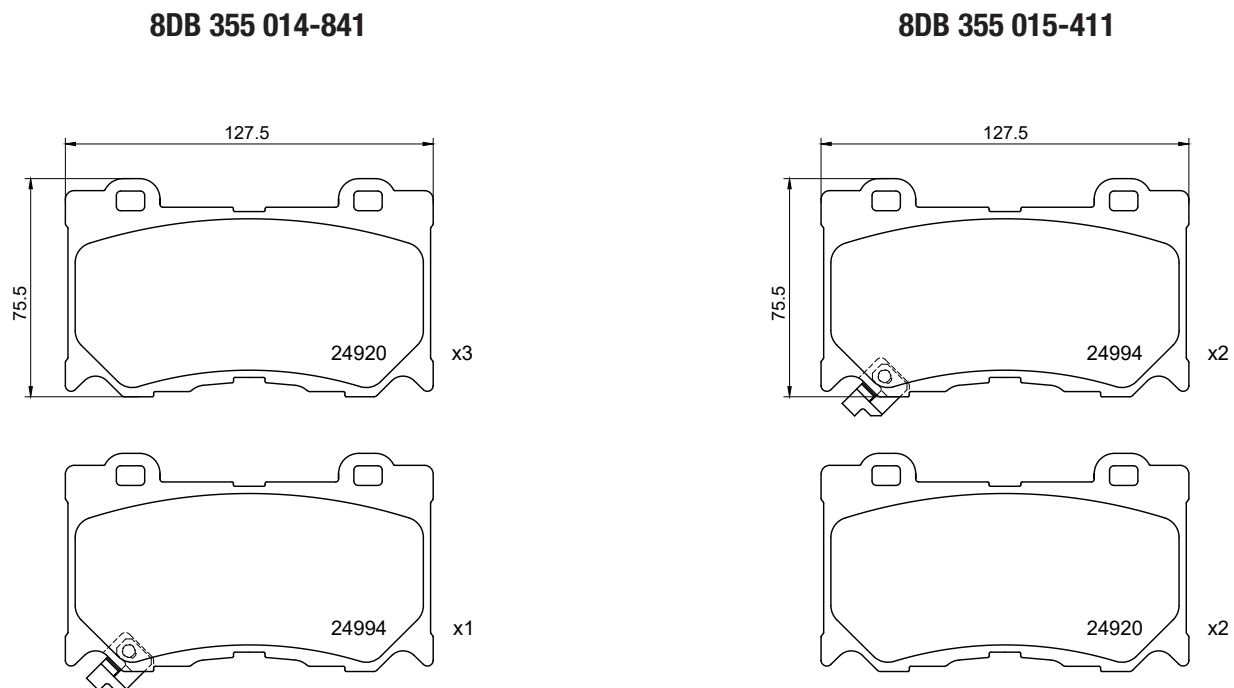


Replacement of 8DB 355 014-841 by 8DB 355 015-411

Hella Pagid is now able to harmonize the references 8DB 355 014-841 and 8DB 355 015-411. It was proved that 8DB 355 015-411 could also cover the applications of 8DB 355 014-841.

The differences between 8DB 355 014-841 and 8DB 355 015-411 are the number of acoustic wear indicators that 8DB 355 015-411 contains. There will be no difficulties during installation, operation and functionality dimensionally.



As usual, existing stock of 8DB 355 014-841 can be sold out without any problems.