



SI 0078
For technical personnel only!
1/2

SERVICE INFORMATION

VACUUM PUMP DAMAGE DUE TO INCORRECT ASSIGNMENT

Incorrect vacuum pump assignment often occurs due to a change of cylinder heads in the VW T4 engine with the code letter AAB. If an incorrect pump is installed, claims cases will not be recognised.

ATTENTION

If an incorrect pump has been mounted, this will lead to breakage of the pump housing (see Fig. 1) during the initial engine start following installation, or even to breakage of the camshaft – and therefore to severe and expensive engine damage.



In order to prevent damage, it is essential to check the chassis number, registration date and/or the part number of the old pump!

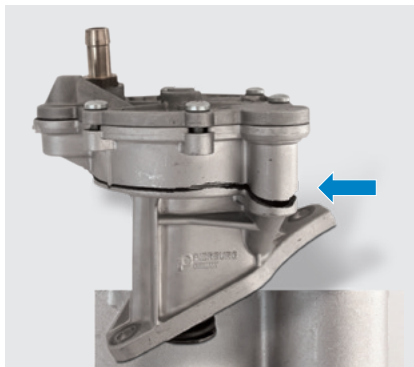


Fig. 1: Breakage in the pump housing

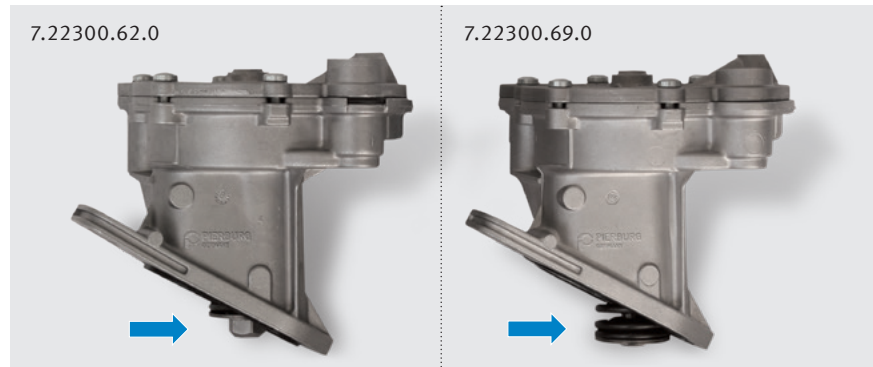


Fig. 2: Comparison of vacuum pumps

Assembly instructions: See reverse ▶

Vehicle: VW Transporter LT, T4 (platform, bus, truck, California), engine classification code: AAB		
Pierburg no.	7.22300.62.0	7.22300.69.0
Replacement for	7.22300.12.0	7.22300.19.0
Model year	up to 5/1994	from 5/1994
Chassis number	up to 70-R-180 000	from 70-R-180 001
VW part number	075 145 100; 075 145 101; 075 145 101 A	074 145 100 A
VW cylinder head no.	074 103 351 A	074 103 351 D
Motorservice cylinder head no.	50 003 101	50 003 113
Cylinder head cover surface	11 holes; Ø 5 mm	without holes
Pierburg tappet number	3.52124.06.0	3.52124.05.0
VW tappet number	075 145 307	074 145 307 B
Tappet length	71.0 mm	67.5 mm

All content including pictures and diagrams is subject to change. For assignment and replacement, refer to the current catalogues or systems based on TecAlliance.

* The reference numbers given are for comparison purposes only and must not be used on invoices to the consumer.



CORRECT MOUNTING

In order to mount the pump with only a minimal amount of preload (max. 2 mm gap), the cam on the camshaft for driving the vacuum pump must be positioned on the opposite side of the connecting tappet (see Fig. 3) during mounting:

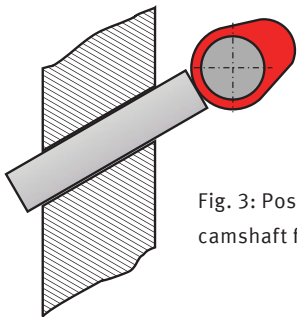


Fig. 3: Position of the camshaft for installation

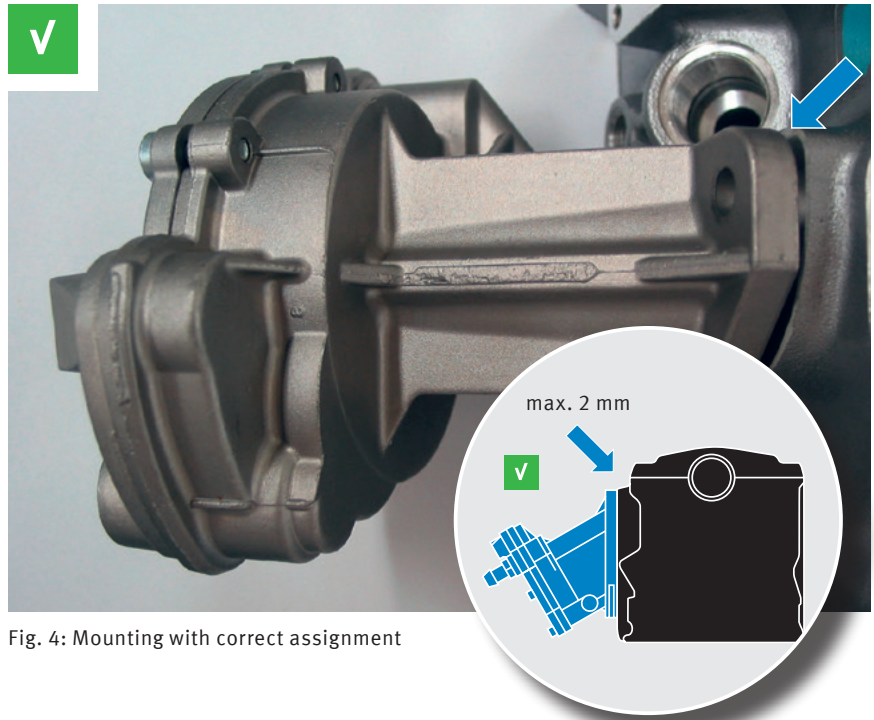


Fig. 4: Mounting with correct assignment

INCORRECT ASSIGNMENT – MOUNTING NOT POSSIBLE

If it is not possible to press the vacuum pump to the flange (approx. 5 mm gap) without great effort, even with the cam on the opposite side of the connecting tappet, an incorrect assignment has very likely taken place.



It is essential to check the chassis number, registration date and/or the part number of the old pump! Never attempt to solve this problem by modifying the connecting tappet (e.g. regrinding)!

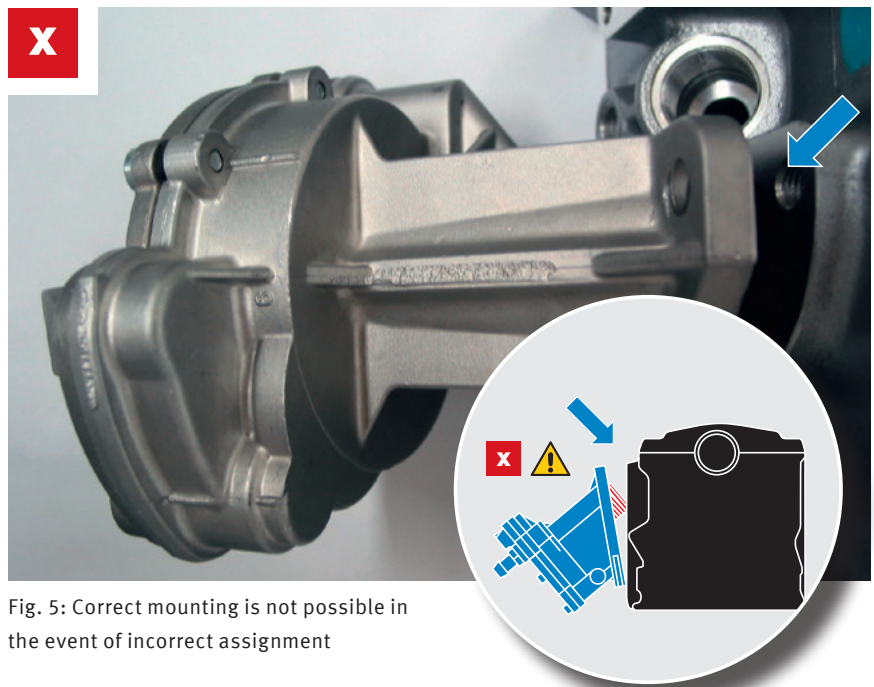


Fig. 5: Correct mounting is not possible in the event of incorrect assignment