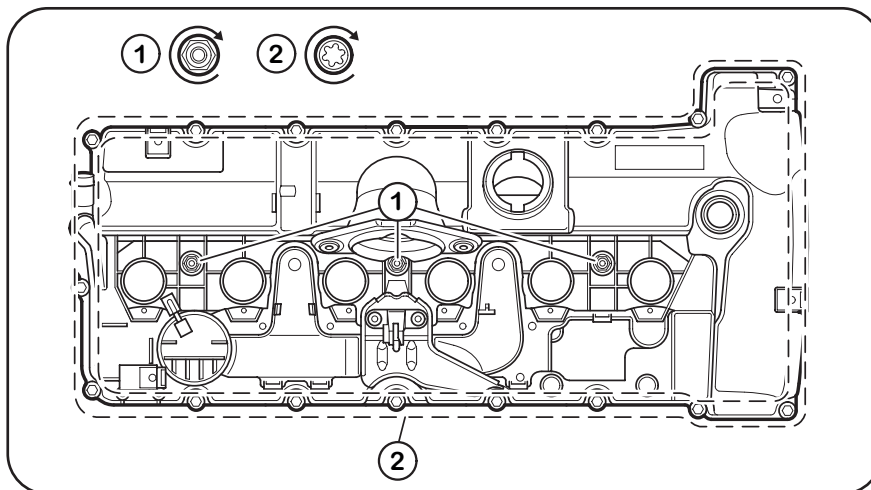


Reihenfolge/Sequence/Commander/Sucesión/安装顺序



Wert/Figure/Valeur/Valor/扭矩

		Pos. 1-2
		Pos. 1 (M7): 9 Nm 6.63 ft-lb (US) Pos. 2 (M7): 9 Nm 6.63 ft-lb (US)

Motortyp/Engine type/Type de moteur/Tipo de motor/发动机型号

BMW: N51 B30 A | N52 B25 | N52 B25 A | N52 B25 AE | N52 B25 AF | N52 B25 B |
 N52 B25 BE | N52 B25 BF | N52 B25 C | N52 B30 | N52 B30 A | N52 B30 AE |
 N52 B30 AF | N52 B30 B | N52 B30 BF

OE # 11 12 7 552 281