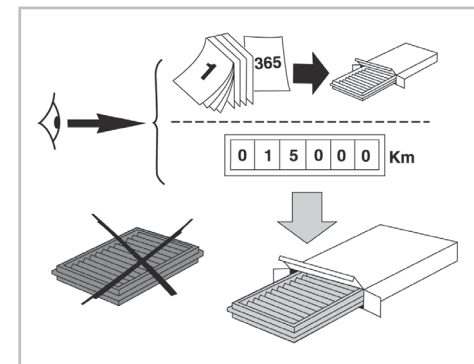
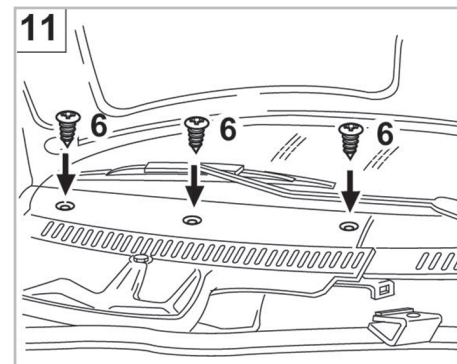
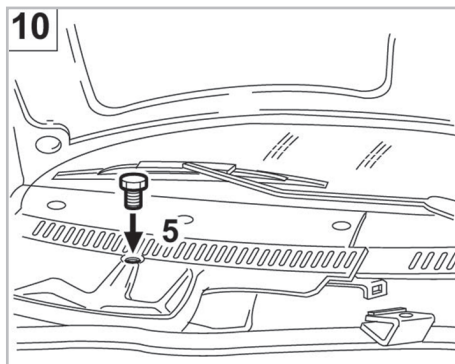
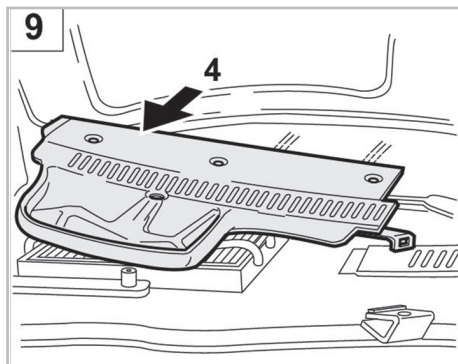
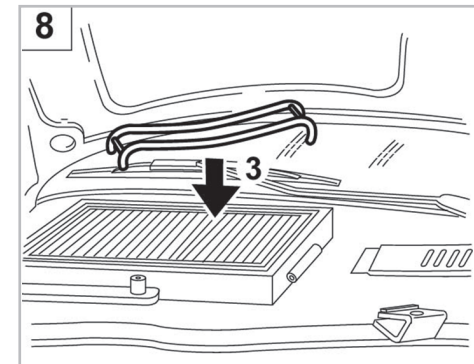
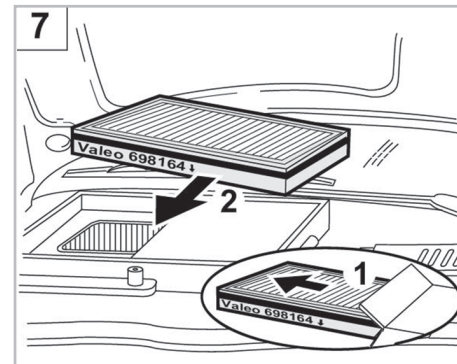
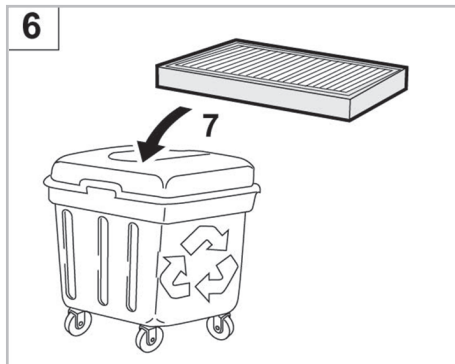
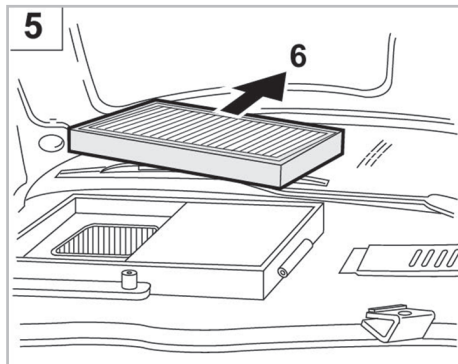
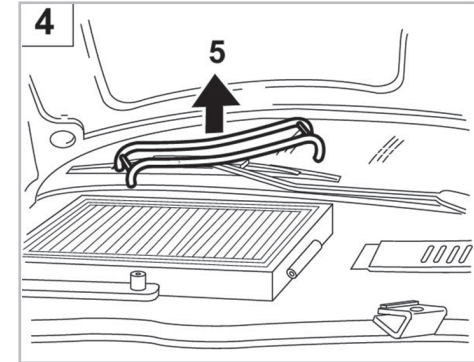
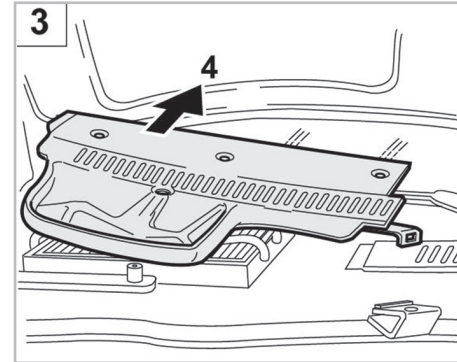
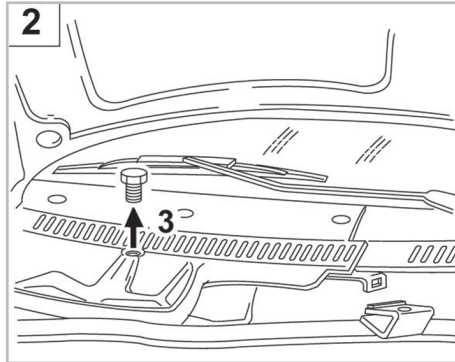
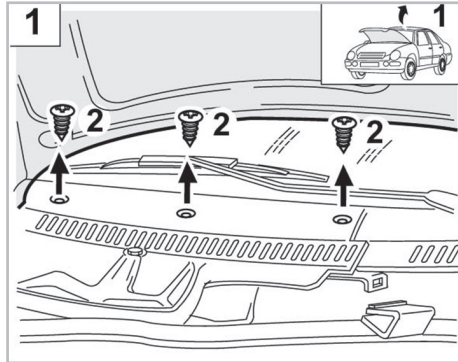


particle
filter



FOR
AUDI

A4 A/C+/- (11/94 >11/00) / 80 A/C+/- (02/93 > 07/95) / COUPÉ A/C+/- (11/88 > 01/96)



698164

FH412



PA

WANT TO
KNOW MORE?



www.valeo-techassist.com

particle
filter



FOR
VOLKSWAGEN PASSAT A/C+/- (10/96 > 09/00)

698164

FH412



PA

WANT TO
KNOW MORE?



www.valeo-techassist.com

