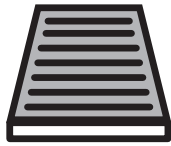




715555

FH227

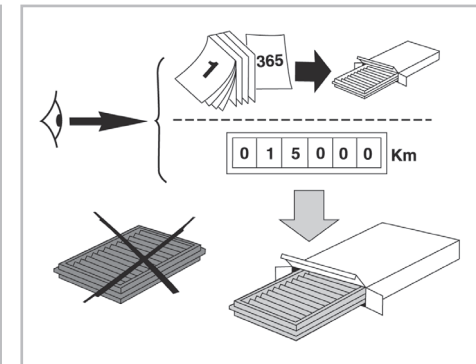
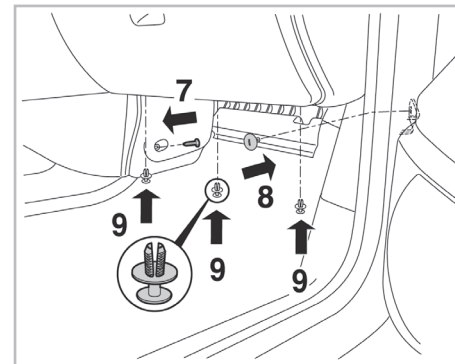
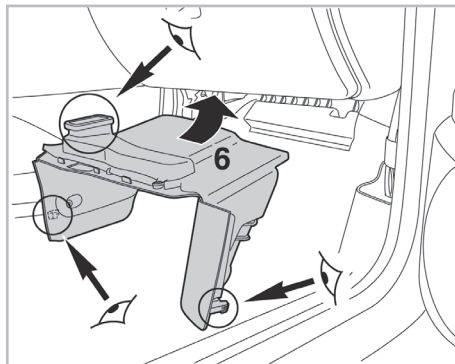
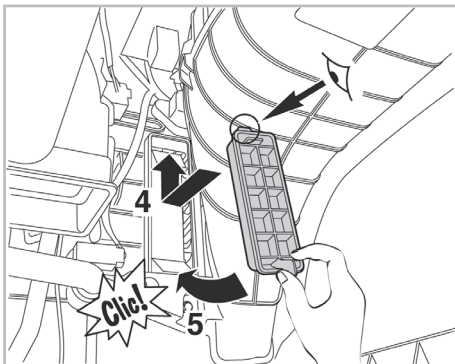
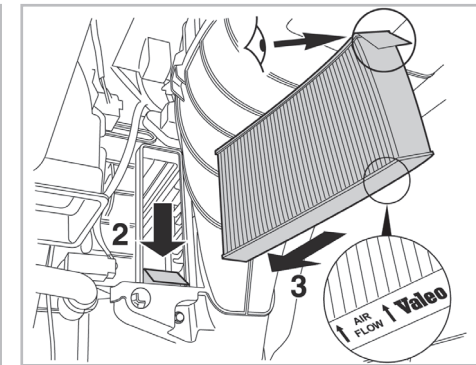
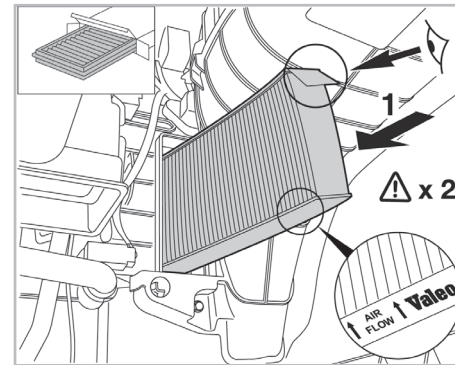
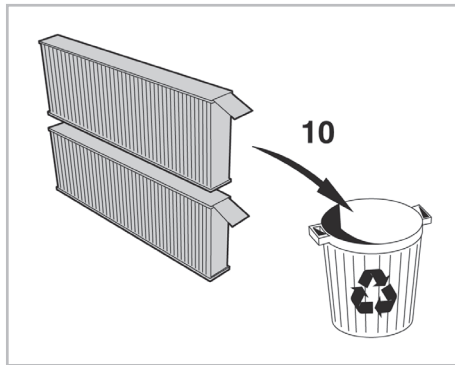
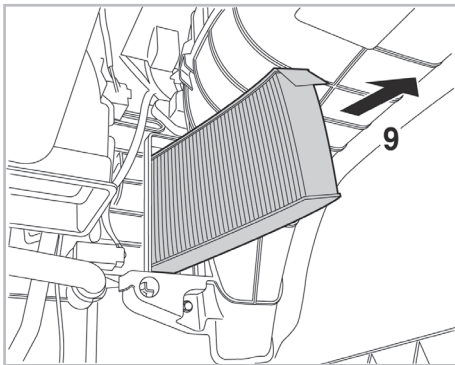
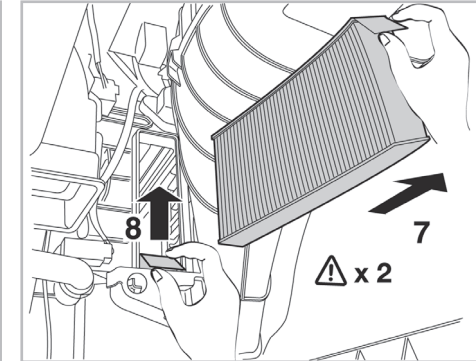
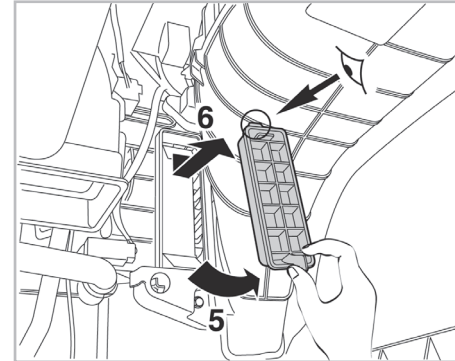
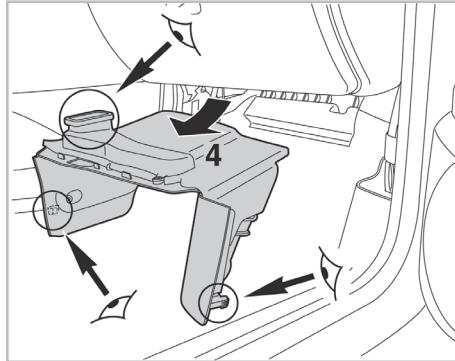
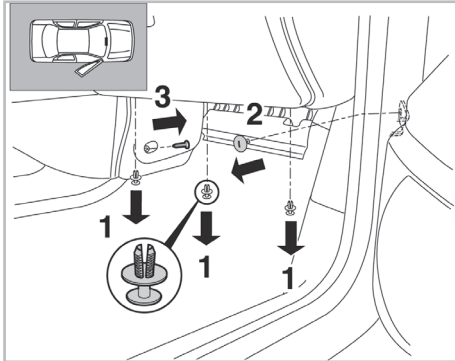


CA

**WANT TO
KNOW MORE?**



www.valeo-techassist.com





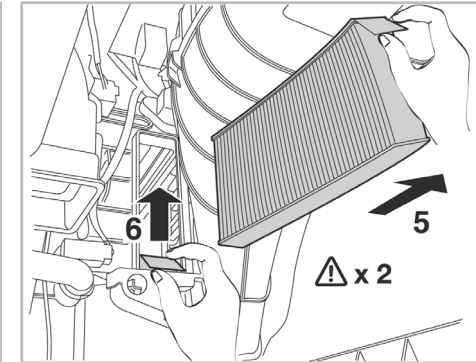
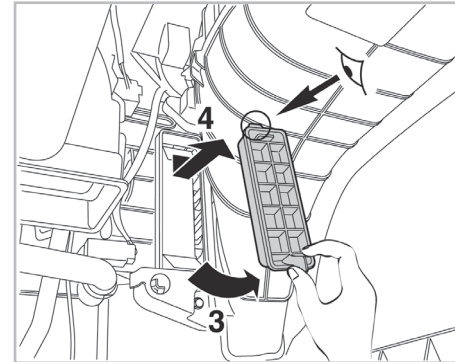
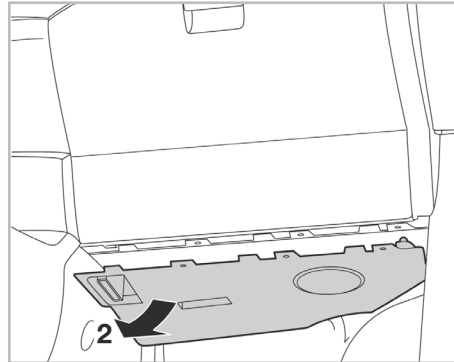
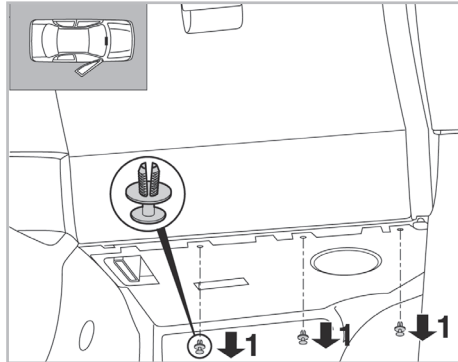
FOR
CITROËN
PEUGEOT

BERLINGO A/C+ (04/08 >)
PARTNER A/C+ (04/08 >)



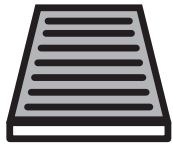
PROTECT

combined with
active carbon

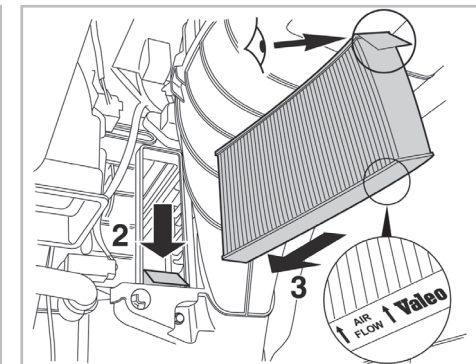
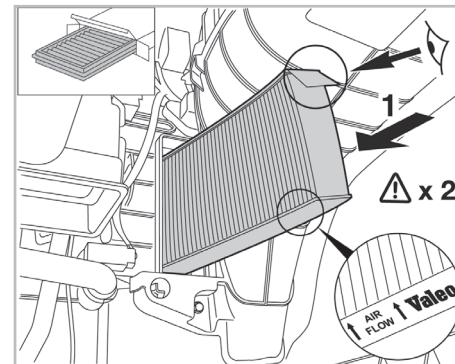
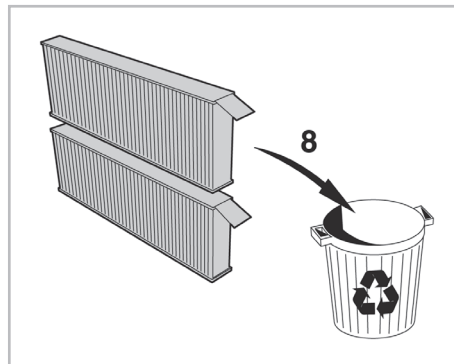
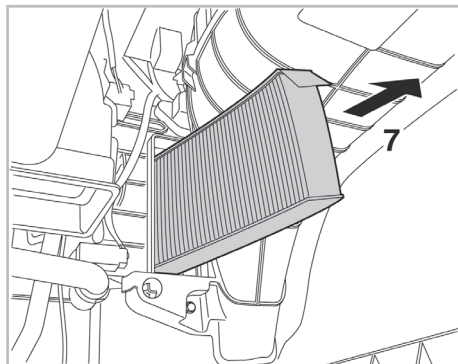


715555

FH227



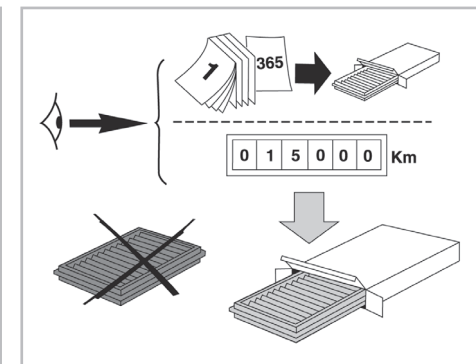
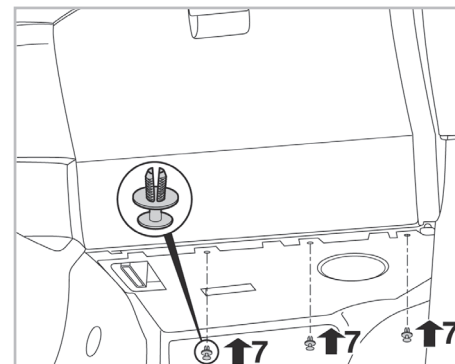
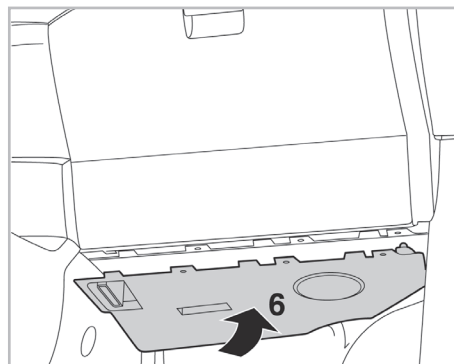
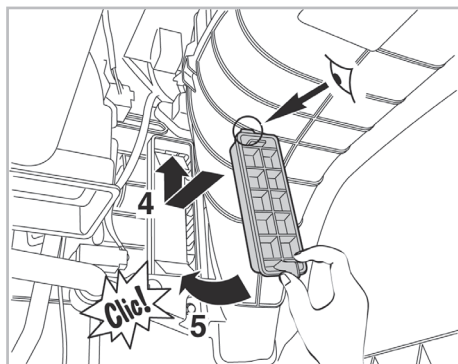
CA



**WANT TO
KNOW MORE?**



www.valeo-techassist.com



Valeo Service - Société par Actions Simplifiée - Capital de 12 900 000 € - 70, rue Pleyel, 93285 Saint-Denis Cedex - France - B 306 486 408 RCS Bobigny