



PROTECT

combined with active carbon



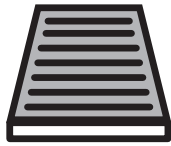
FOR
NISSAN

X-TRAIL A/C+ (06/01 > 02/07)

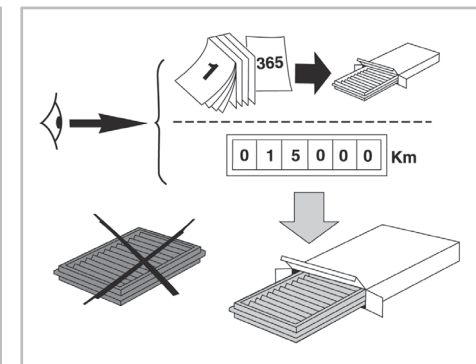
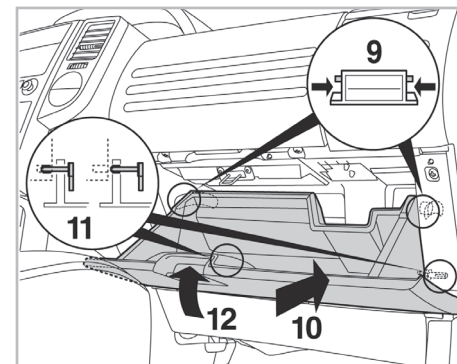
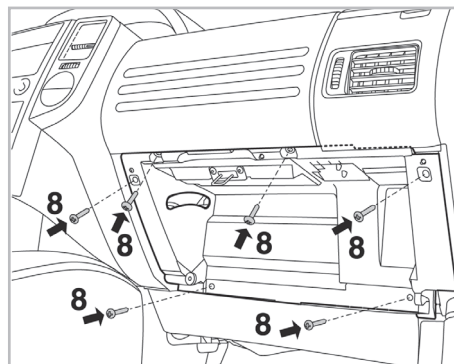
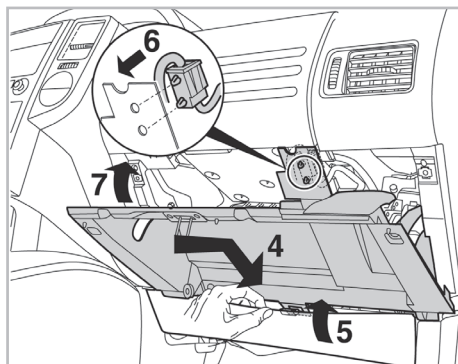
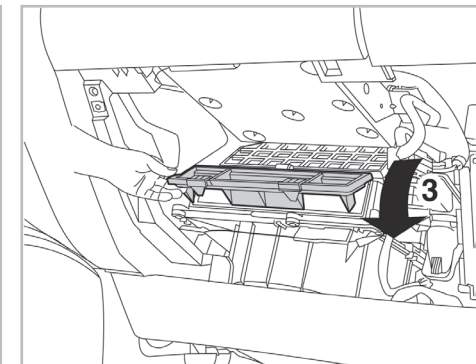
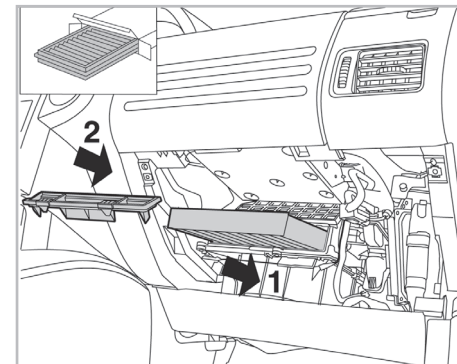
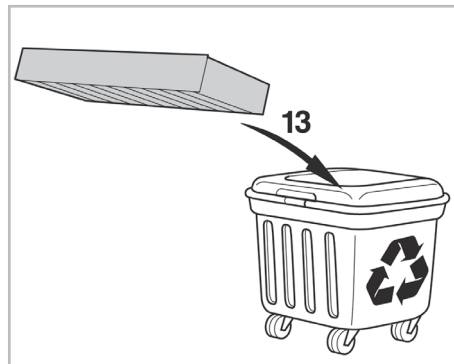
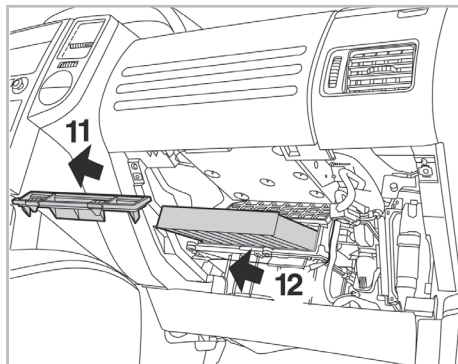
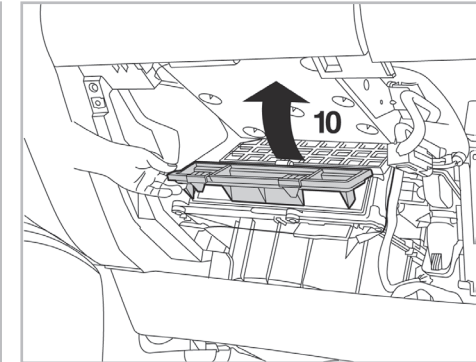
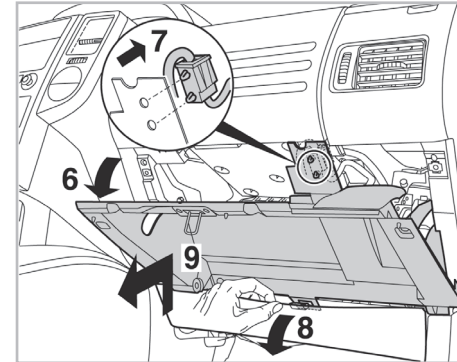
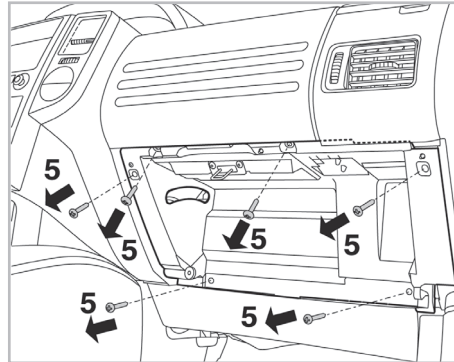
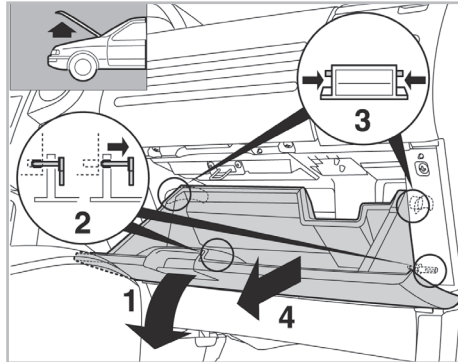


715560

FH250



CA



WANT TO KNOW MORE?



www.valeo-techassist.com

Valeo Service - Société par Actions Simplifiée - Capital de 12 900 000 € - 70, rue Pleyel, 93285 Saint-Denis Cedex - France - B 306 486 408 RCS Bobigny