



PROTECT

combined with active carbon



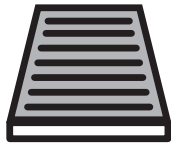
FOR  
AUDI

A4 A/C+/- (11/07 >) / A5 A/C+/- (06/07 >)

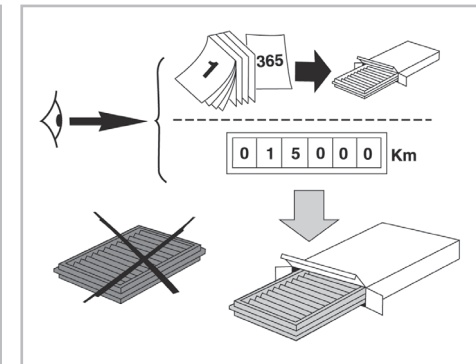
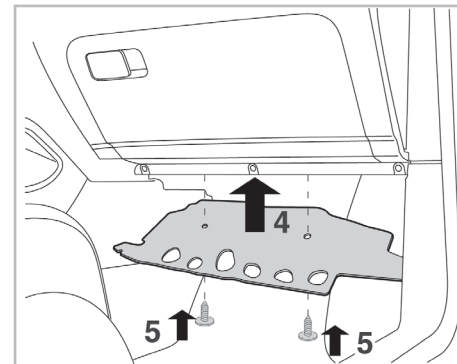
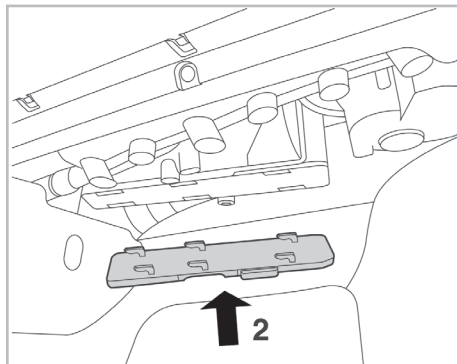
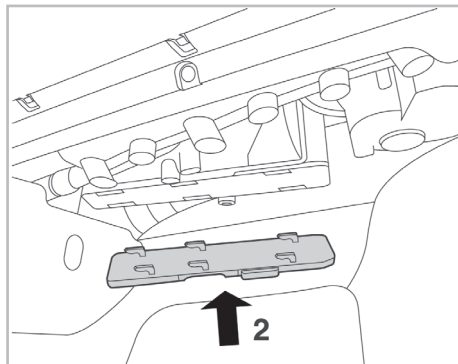
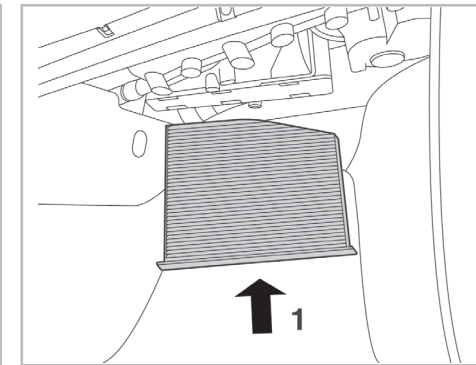
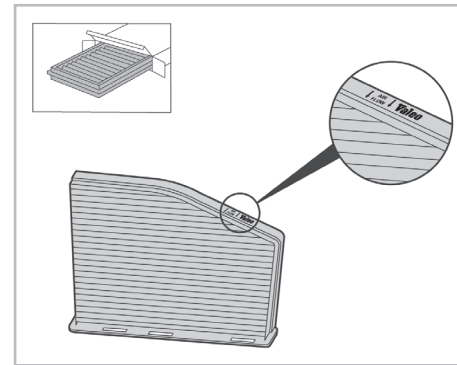
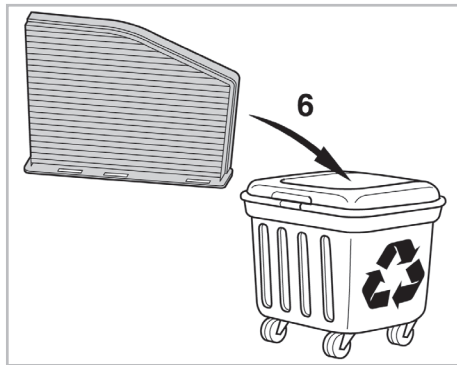
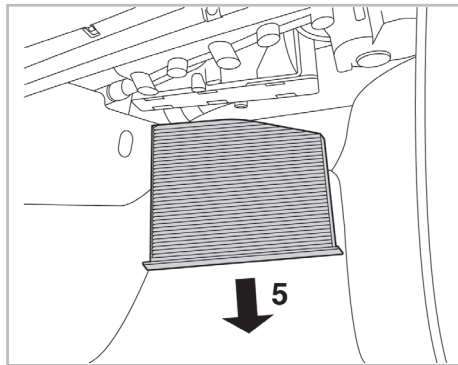
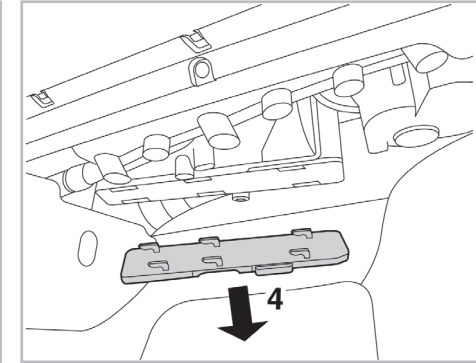
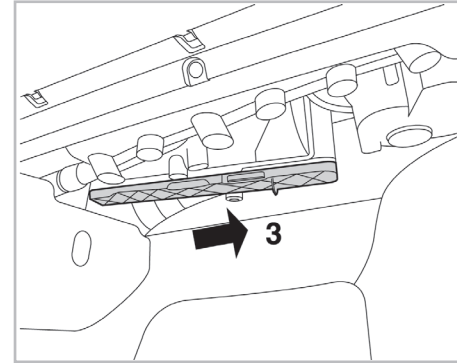
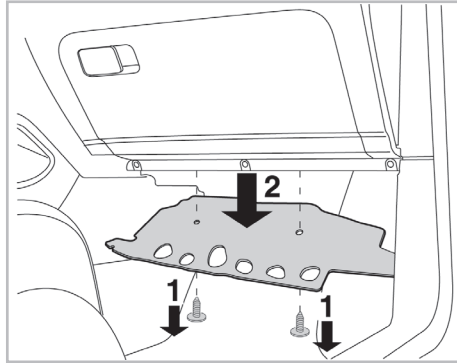
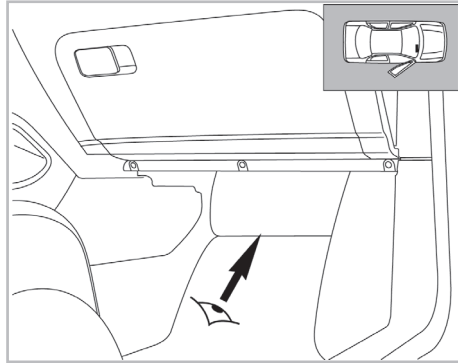


715580

FH337



CA



WANT TO KNOW MORE?



www.valeo-techassist.com

Valeo Service - Société par Actions Simplifiée - Capital de 12 900 000 € - 70, rue Pleyel, 93285 Saint-Denis Cedex - France - B 306 486 408 RCS Bobigny