

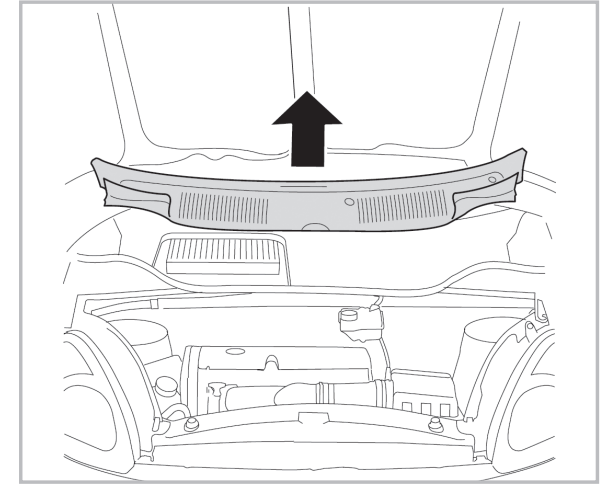
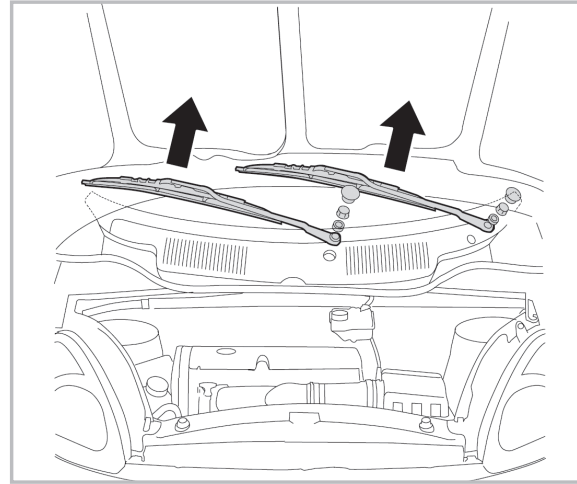
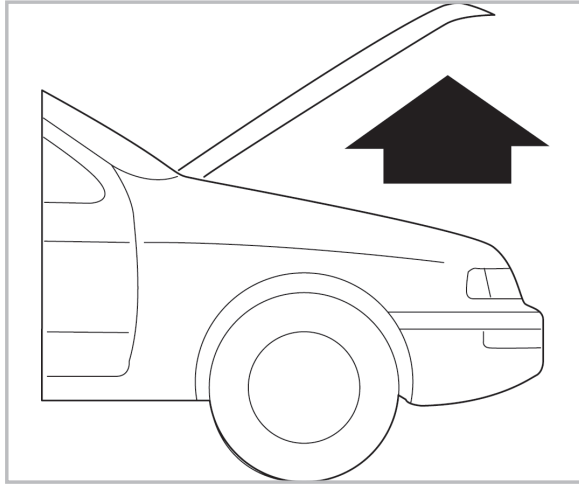


FOR
CHRYSLER PT CRUISER A/C+/- (06/00 >)



COMFORT

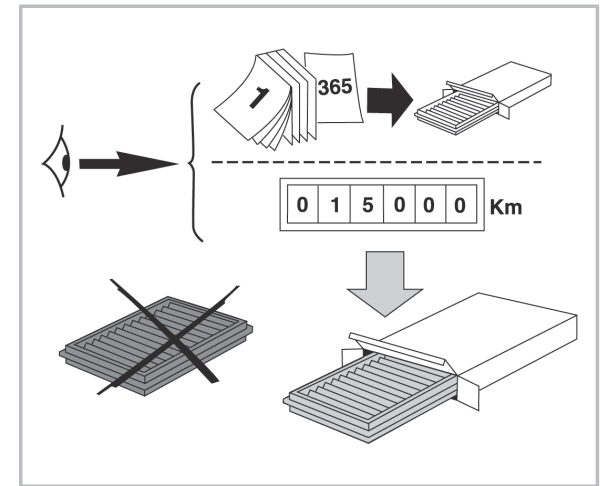
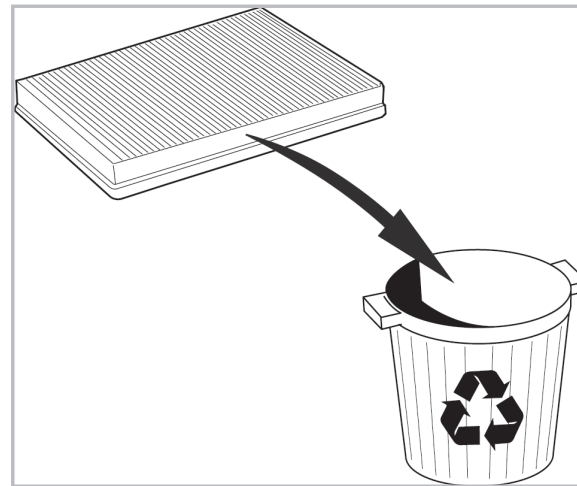
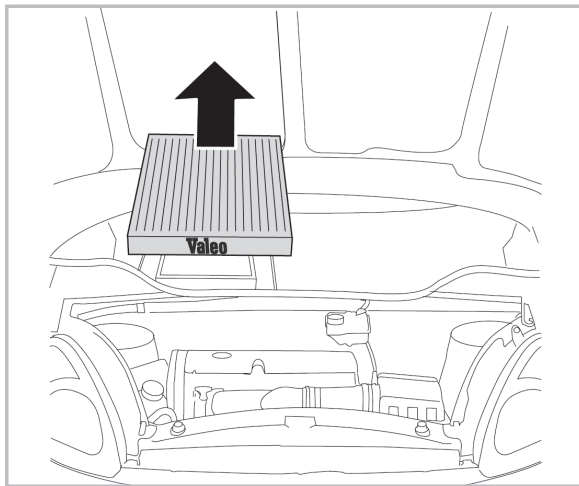
particle
filter



715534
FH293



PA



WANT TO
KNOW MORE?



www.valeo-techassist.com