



PROTECT

combined with active carbon



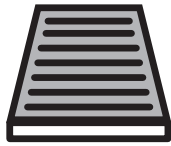
FOR
CITROËN
FIAT
PEUGEOT

JUMPY II A/C+ (10/07 >)
SCUDO II A/C+ (01/07 >)
EXPERT II A/C+ (01/07 >)

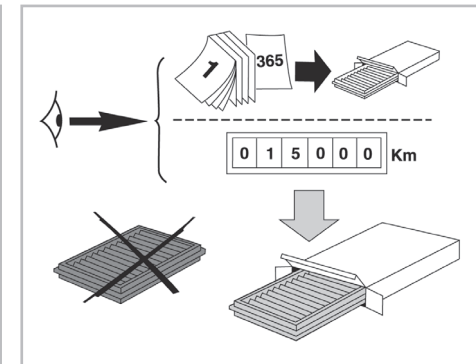
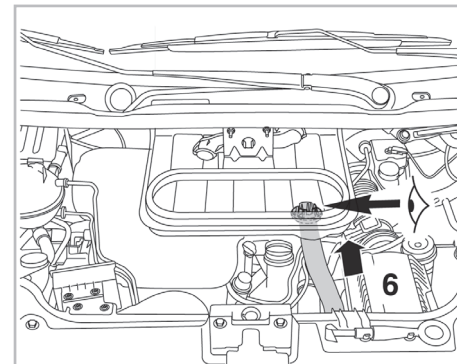
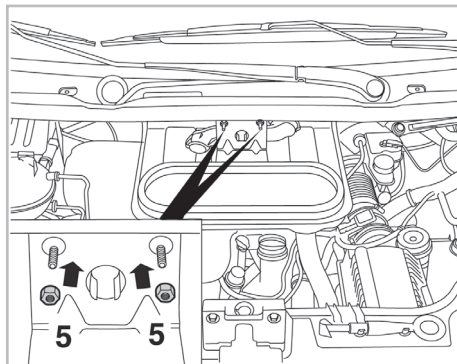
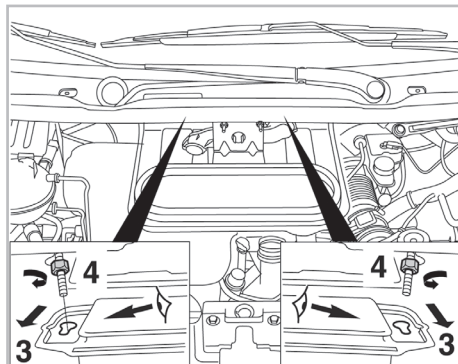
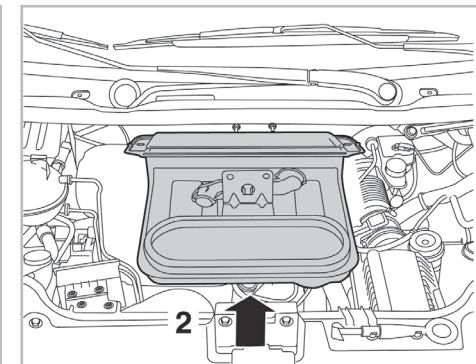
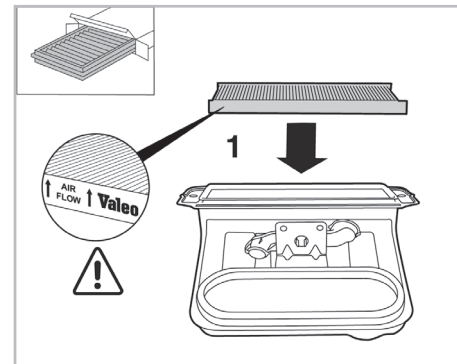
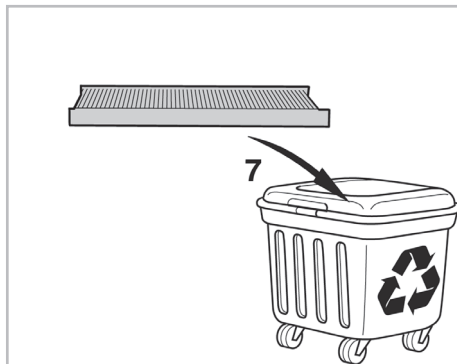
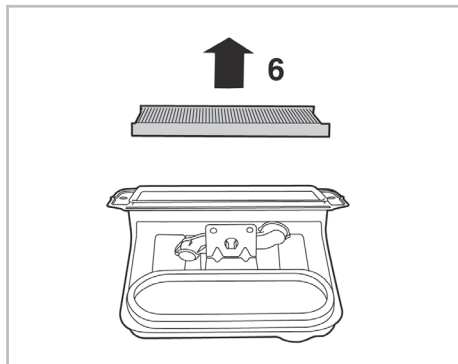
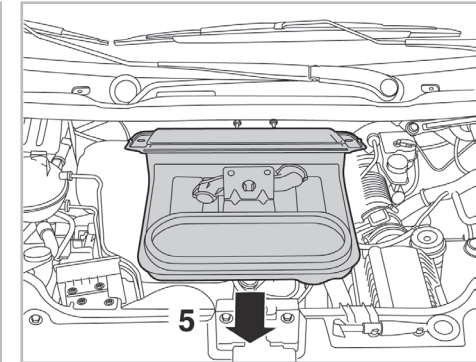
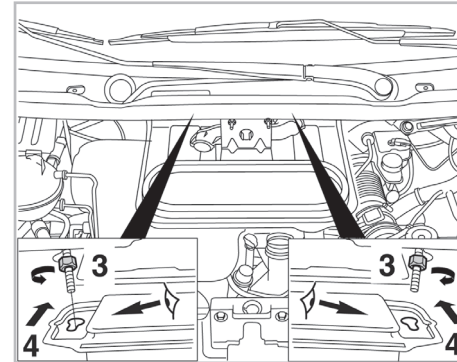
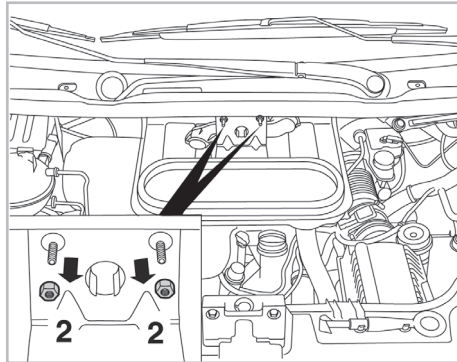
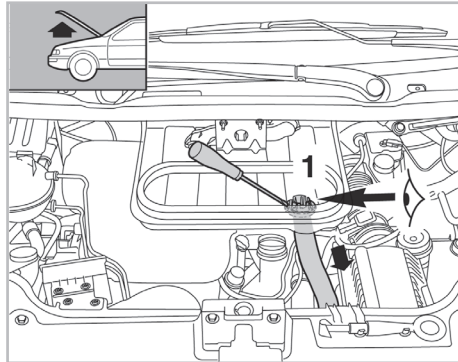


715613

FH911



CA



WANT TO KNOW MORE?



www.valeo-techassist.com

Valeo Service - Société par Actions Simplifiée - Capital de 12 900 000 € - 70, rue Pleyel, 93285 Saint-Denis Cedex - France - B 306 486 408 RCS Bobigny