



## SILVER dynamic AGM

### Vehicle Key Benefits



xEV ready – ensuring safety and reliability for all current and future vehicle demands



Best start-stop performance for maximum fuel economy – as the start-stop-system can be operated as often as possible



90% of a newly produced VARTA AGM battery consists of recycled lead



Original Spare Parts ensure the replacement battery has the same quality as the original one



Patented PowerFrame® grid for reliable starting power, fast recharge and corrosion resistance.

For more information visit [varta-automotive.com](http://varta-automotive.com)

### ORDER INFORMATION

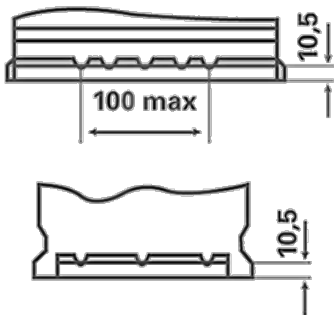
<b>European Type No. (ETN):</b>	550901054
<b>Article Number:</b>	550901054J382
<b>Short Code:</b>	A9
<b>Barcode:</b>	4016987165492
<b>UK Code:</b>	012AGM
<b>Packaging Unit:</b>	1
<b>Quantity per Pallet:</b>	57

### TECHNICAL INFORMATION

<b>Voltage [V]:</b>	12	<b>Base Hold-down:</b>	B13
<b>Battery Capacity [Ah]:</b>	50	<b>Layout:</b>	0
<b>Cold Cranking Amps (CCA), EN [A]:</b>	540	<b>Terminal Types:</b>	1
<b>Length [mm]:</b>	207	<b>Case Size:</b>	H4/LN1
<b>Width [mm]:</b>	175	<b>Weight filled (kg):</b>	
<b>Height [mm]:</b>	190		

# DRAWINGS

**B13**



**0**



**1**



**3**

