

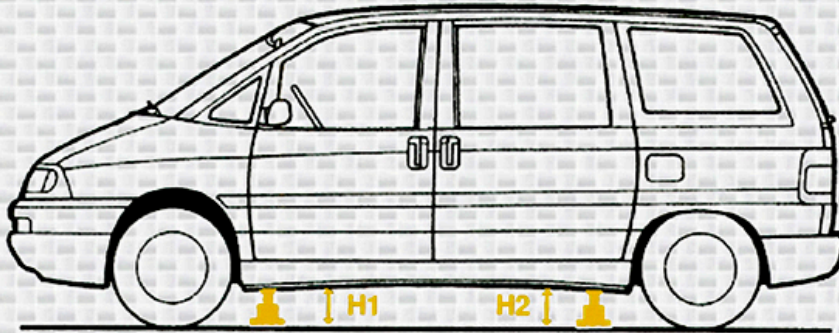
VEHICLE HEIGHT

Peugeot 806, Expert / Citröen Evasio, Jumpy /
Fiat Ulysse, Scudo / Lancia Zeta

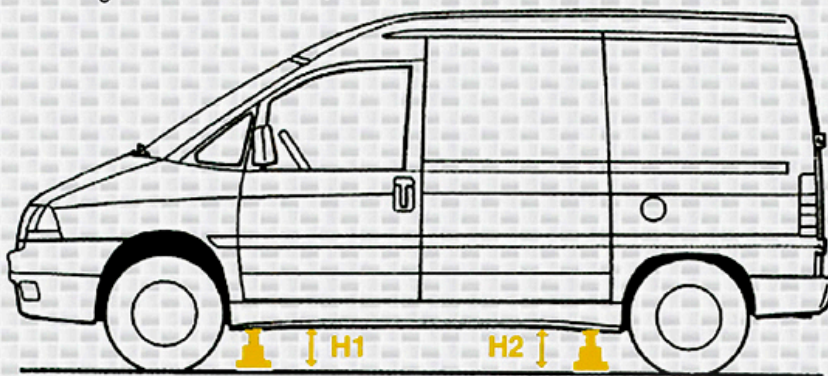


FI052EU

Peugeot 806 - Citröen EVASION -Fiat ULYSSE -Lancia ZETA



VAN Peugeot EXPERT Citröen JUMPY Fiat SCUDO

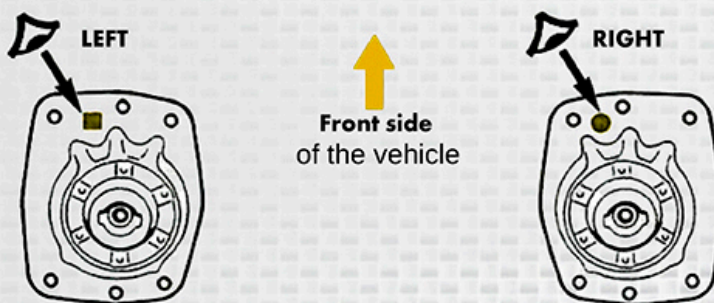


Respect the height values during check & adjustment of the vehicle geometry

TYRES	H1 (mm)	H2 (mm)
195 65 R 15	161	166
205 65 R 15	166	171
195 70 R 14	157	164

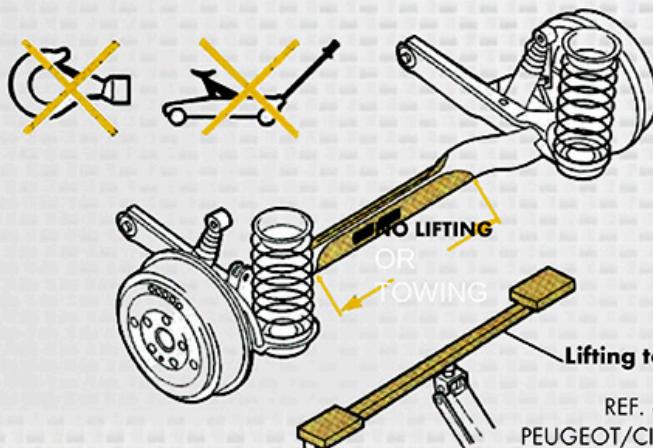
Vehicle height is measured between the jacking points and the ground. (H1 et H2)

FRONT:



Use the correct vehicle height during assembly.
TIGHTENING TORQUES (daN.m):

REAR: DO NOT use hooks or a 'trolley jack' in the area of the twist axle shown below.



FRONT		
A	Upper mounting	9
B	Top stem nut	6.5
C	Lower mounting	11

REAR		
A	Upper mounting	9
B	Lower mounting	6.5

REF. 4503T
PEUGEOT/CITROËN