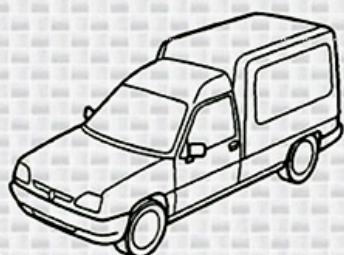


## PRODUCT IDENTIFICATION

Renault Express



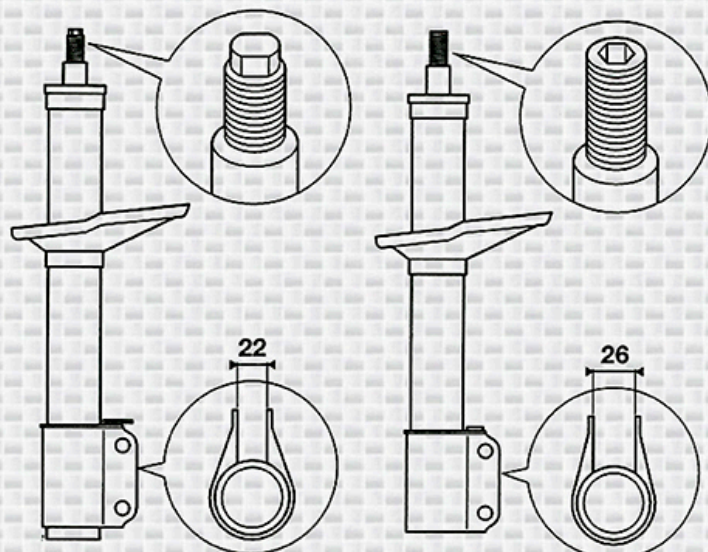
FI066EU



85 > 10.96

10.96 > ...

11088	<b>ORIGINAL®</b>	11257
-------	------------------	-------



TIGHTENING TORQUES		daN.m
A	Shock absorber piston nut	2.5
B	Upper mounting to car body	6
C	Lower pivot mounting	8