

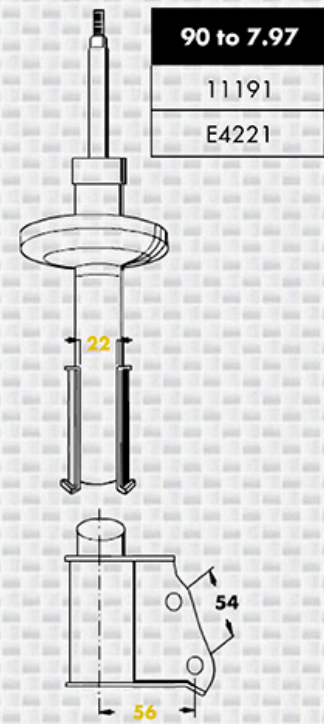
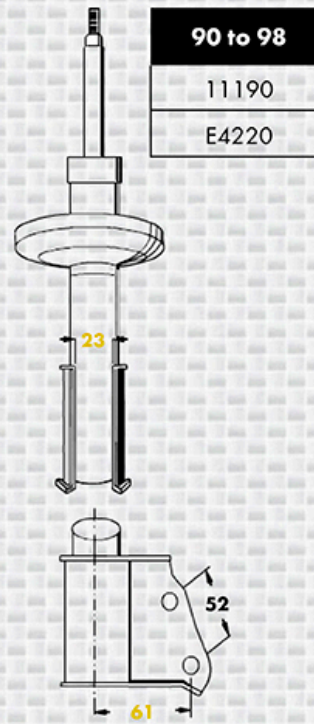
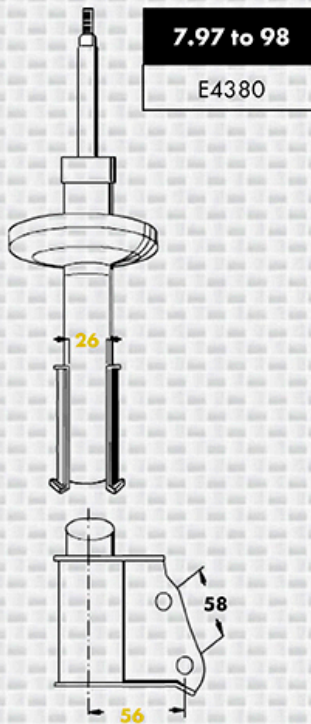
## SHOCK ABSORBER IDENTIFICATION RENAULT CLIO I

Renault Clio I



FI087EU

- It is important to identify the correct shock absorber for Renault Clio I applications.
- Please view diagrams below to ensure the correct Monroe® part number is refitted.



If the wrong shock absorber is fitted, the vehicles alignment will be severely affected (especially the toe angle) and this will cause rapid tyre tread wear. These shock absorbers do not have the same operating characteristics.