

## CIRCLIP Vs NUT

Renault Clio I All types



FI017EU

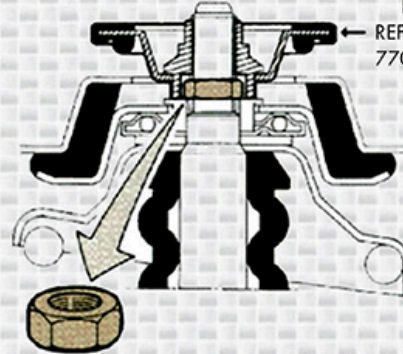
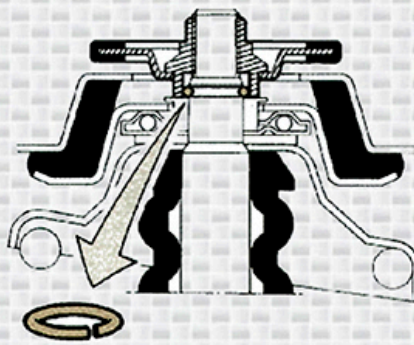
**ORIGINAL**  
... → 12.93

**ORIGINAL**  
1.94 → ...

**Discontinued**

**MONROE®**  
90 → ...

Former part numbers  
MONROE®  
16190(N/A) 11190(N/A)  
16191(N/A) 11191(N/A)  
16192(N/A)  
16193(N/A)  
(N/A): Discontinued



New part numbers  
MONROE®  
E4220 11190(N/A)  
E4221 11191(N/A)  
16192(N/A)  
E4258 16193(N/A)  
(N/A): Discontinued

Tightening Torques	daNm.
Rod nut*	6
Intermediate nut	2.5
Lower mounting	11



Shock absorbers  
11190(N/A) 11191(N/A)  
16190(N/A) 16191(N/A)  
Cannot be mounted on  
a 94 model car

### Product identification All Clio models except 16s - 1.8 RSI

E4220	REFLEX®	E4221
11190(N/A)	ORIGINAL®	11191(N/A)

(N/A): Discontinued

