



**Original Installation**

**Fiesta Hatchback / Mazda 121**

1.0, 1.3, 1.25 16v 1.416v 8/95 >> 11/01

**Fiesta Hatchback / Mazda 121**

1.8D 8/95 >> 11/01

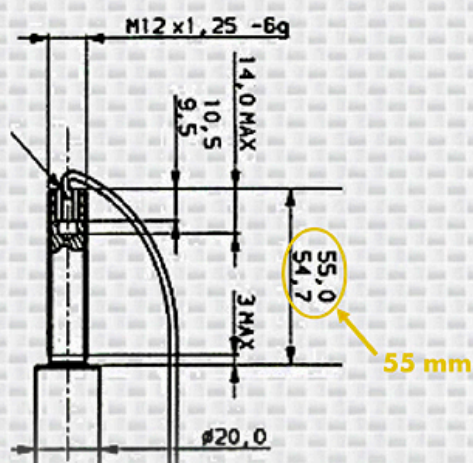
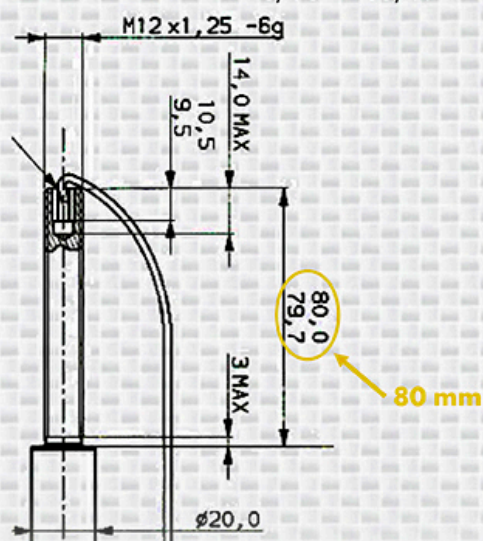
**Fiesta VAN (Courier)**

1.3 8/95 >> 05/97

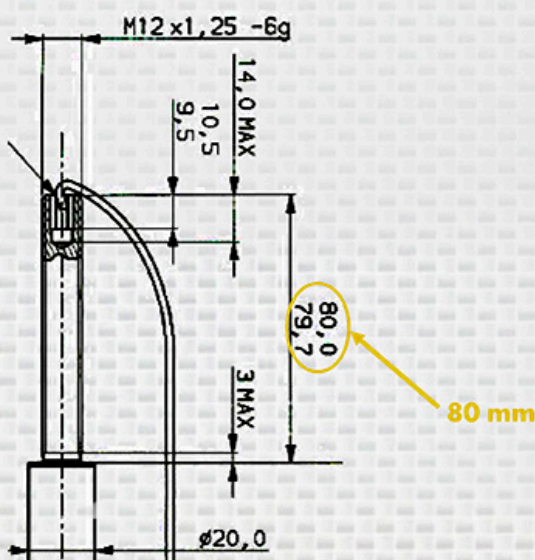
**Fiesta VAN (Courier)**

1.3 5/97 >> 11/01

1.8D 8/95 >> 11/01



**Monroe® Installation**





- Monroe® only proposes one installation: the longest.
- This installation will not have an affect on the performance of the shock absorber or closing the bonnet.

\*(except Fiesta Classic)

FORD Fiesta		Front		Rear	
1.0, 1.25 16v, 1.3, 1.4 16v, 1.8D 3, 5 doors, Van (Courier) Power steering	08/95 >> 10/98	E4328/16226	PK022 MK055	E1162/23839	PK018 MK126
1.0, 1.25 16v, 1.3, 1.4 16v, 1.8D 3, 5 doors, Van (Courier) No Power steering	08/95 >> 10/98	16227	PK022 MK055	E1162/23839	PK018 MK126
1.0, 1.25 16v, 1.3, 1.4 16v, 1.8D, 1.8TDDI 3, 5 doors, Van (Courier) Power steering	10/98 >> 11/01	E4328/16226	PK022 MK055	E1239/23901	PK018 MK126
1.0, 1.25 16v, 1.3, 1.4 16v, 1.8D, 1.8TDDI 3, 5 doors, Van (Courier) No Power steering	10/98 >> 11/01	16227	PK022 MK055	E1239/23901	PK018 MK126
1.6 16v + sport	01/00 >> 11/01	E4371/16262	PK022 MK055	23936	MK126

MAZDA 121		Front		Rear	
1.25 16v, 1.3, 1.8D Power steering	96 >> 10/98	E4328/16226	PK022 MK055	E1162/23839	PK018
1.25 16v, 1.3, 1.8D No Power steering	96 >> 10/98	16227	PK022 MK055	E1162/23839	PK018
1.25 16v, 1.3, 1.8D No Power steering	10/98 >>	E4328/16226	PK022 MK055	E1239/23901	PK018
1.25 16v, 1.3, 1.8D Power steering	10/98 >>	16227	PK022 MK055	E1239/23901	PK018