

LA 47/S



Mercedes-Benz

CL-Klasse (W215)

03/99 →

E-Klasse (S/W210)

06/95-03/03

with AC automatic

Maybach (W240)

09/02 →

S-Klasse (W220)

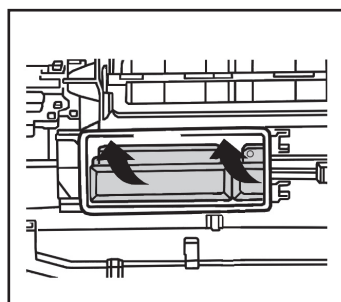
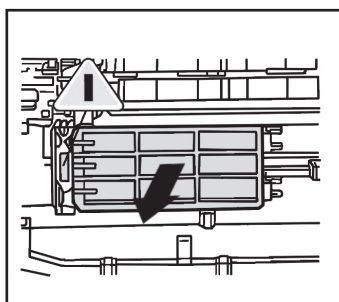
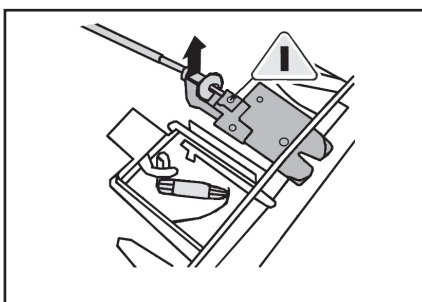
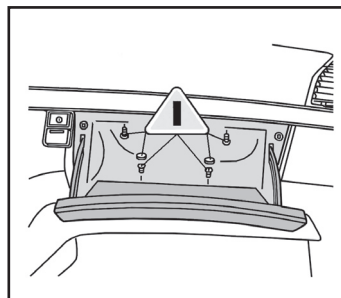
10/98-10/05

© MAHLE

LA 47/S



Mercedes-Benz CL-Klasse, Maybach, S-Klasse



Mercedes-Benz E-Klasse

