



### BMW 5er E60 / E61

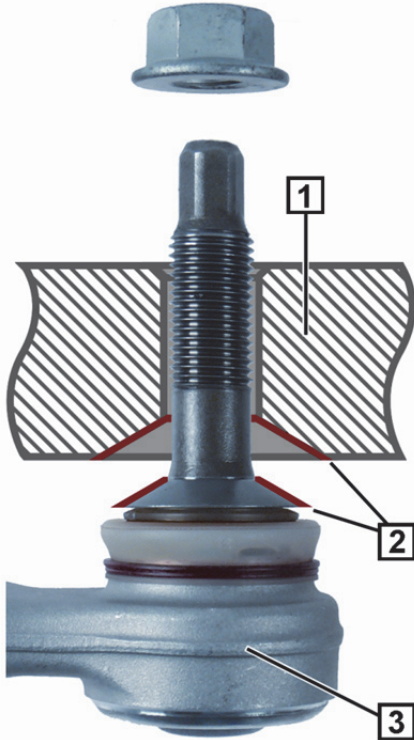


Fig.1: Rear axle control with cone seat (2)

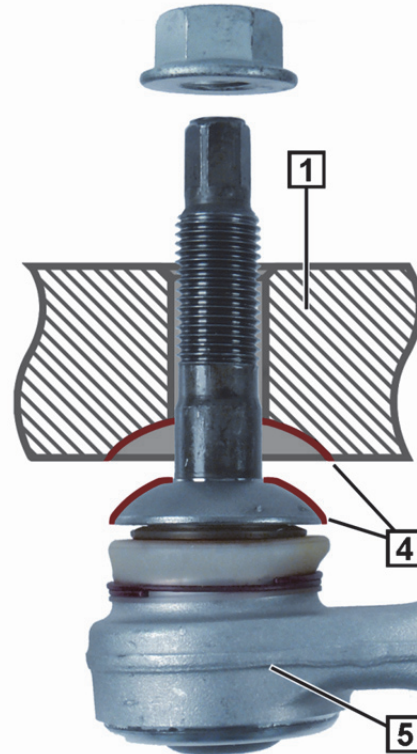


Fig.2: Rear axle control arm with ball seat (4)



Wheel carrier (1) and control arm (3 / 5) for the rear axle were changed from cone seat (2) to ball seat (4).

Prior to installation, check whether the control arm model is compatible with the wheel carrier.

| Year of construction | Model         | Part no. LEMFÖRDER | Part no. BMW    |
|----------------------|---------------|--------------------|-----------------|
| → 02 / 2005          | Cone seat (2) | 34465 01           | 33 32 6 777 425 |
| → 02 / 2005          | Cone seat (2) | 34466 01           | 33 32 6 777 426 |
| 02 / 2005 →          | Cone seat (4) | 27192 02           | 33 30 6 772 241 |
| 02 / 2005 →          | Cone seat (4) | 27193 02           | 33 30 6 772 242 |



[www.zf.com/serviceinformation](http://www.zf.com/serviceinformation)