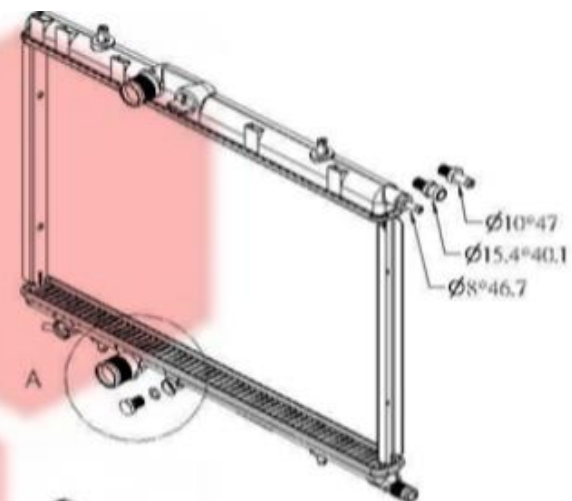


40002300

Item	Description	QTY.
1	Plastic Screw	1
2	Sensor O-ring	1



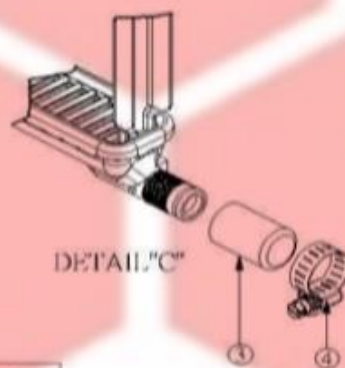
DETAIL "A"



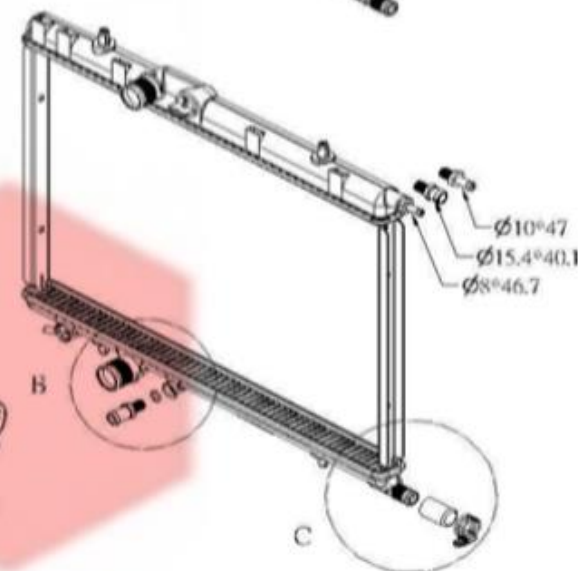
Item	Description	QTY.
1	Overflow Pipe	1
2	Sensor O-ring	1
3	Rubber Cap	1
4	Clip	1



DETAIL "B"



DETAIL "C"



Attention : Torque moment for plastic screw and overflow pipe is N.m 1.45 ± 0.5