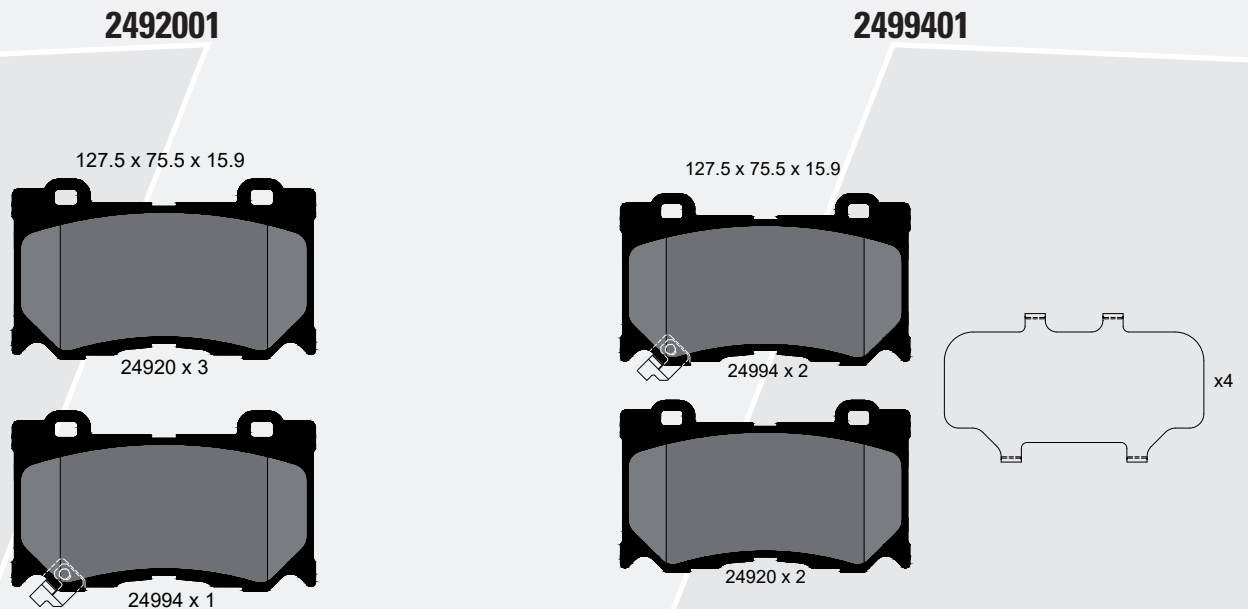


## Replacement of 2492001 by 2499401

Textar is now able to harmonize the references 2492001 and 2499401. It was proved that 2499401 could also cover the applications of 2492001.

The differences between 2492001 and 2499401 are the number of acoustic wear indicators that 2499401 contains. There will be no difficulties during installation, operation and functionality dimensionally.



As usual, existing stock of 2492001 can be sold out without any problems.