

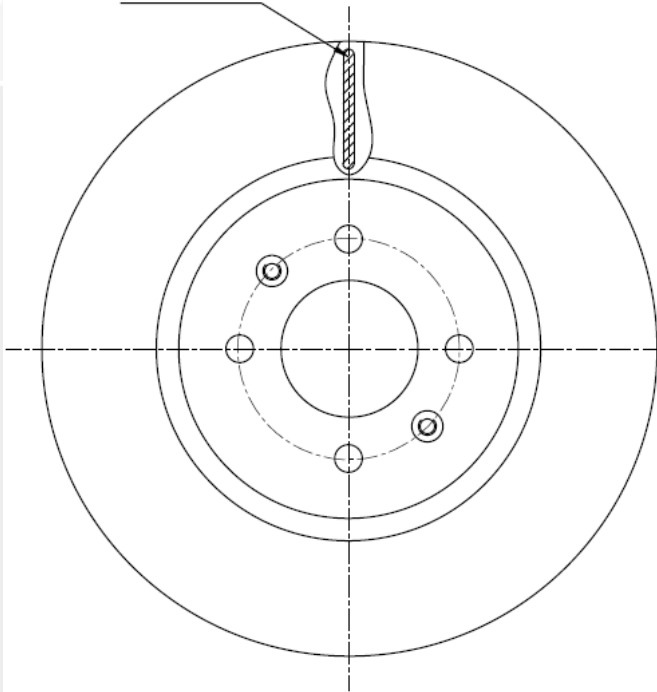
92273903

VS.

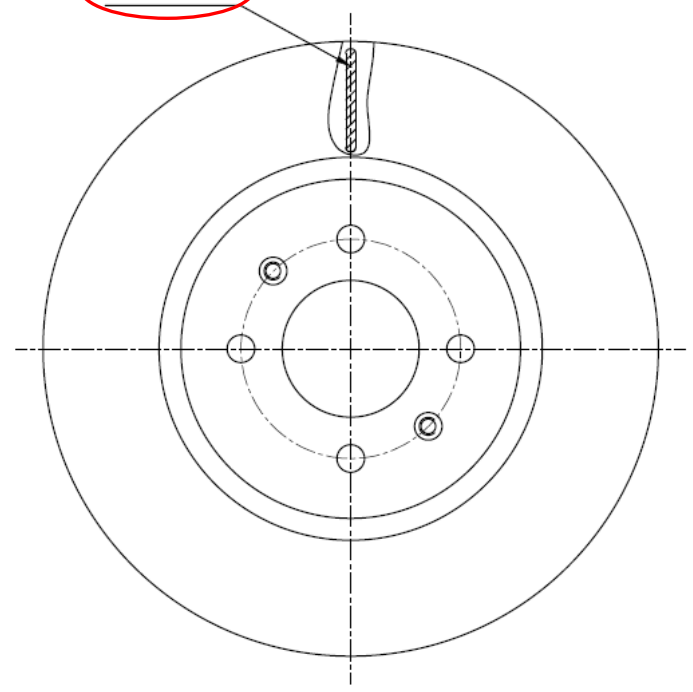
92292603

48 RIBS EQ.SP.

47 RIBS EQ.SP.



min.thickness 19.4



min.thickness 20.0