

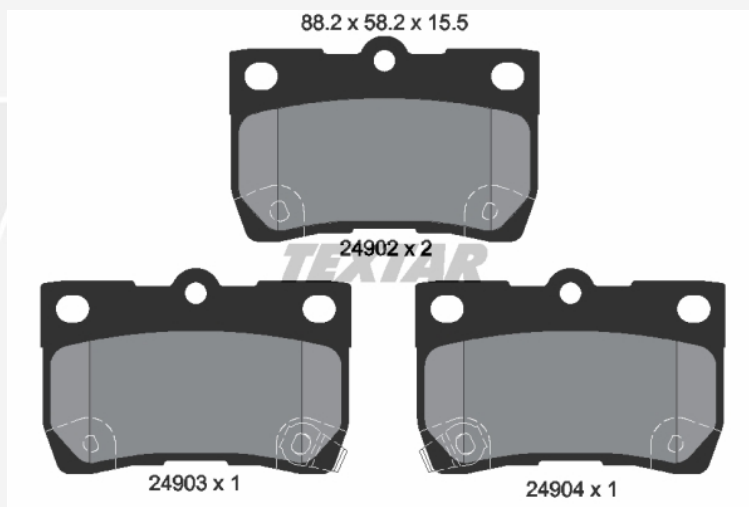
Replacement of 2490201 by 2432301

In order to help our customers to decrease complexity, we are optimizing the portfolio.

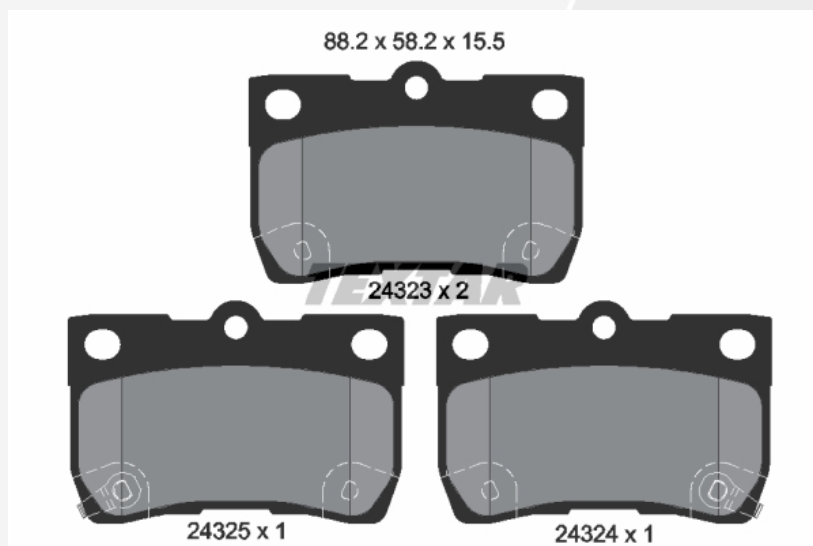
Therefore, due to the fact that the references are interchangeable we harmonize these two into one: 2432301, which will cover applications of both part numbers.

As you can see in the below picture there is no difference in the outer dimensions of the pad.

2490201



2432301



As usual, old stock of 2490201 can be sold out without any problems.