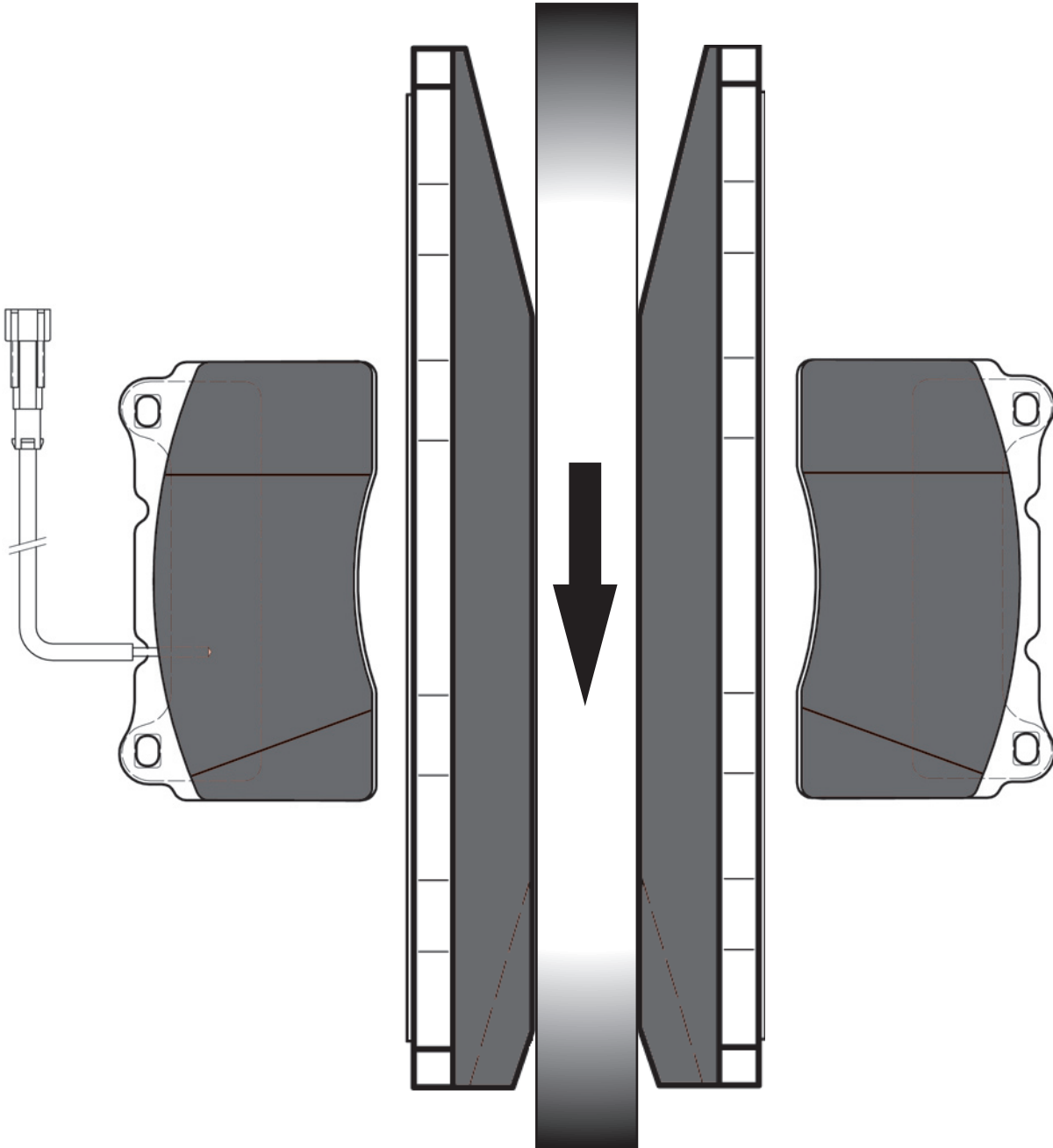


Noise Occurrence on GDB1363 and GDB1431



GDB1363 and GDB 1431 are chamfered on one side. The reason for this is to minimise noise. The arrow indicates the disc forward rotation. If the Brake Pads are not fitted as shown above, noise will occur. To ensure the correct fitment in future TRW will print indicator arrows on the back plate.

