



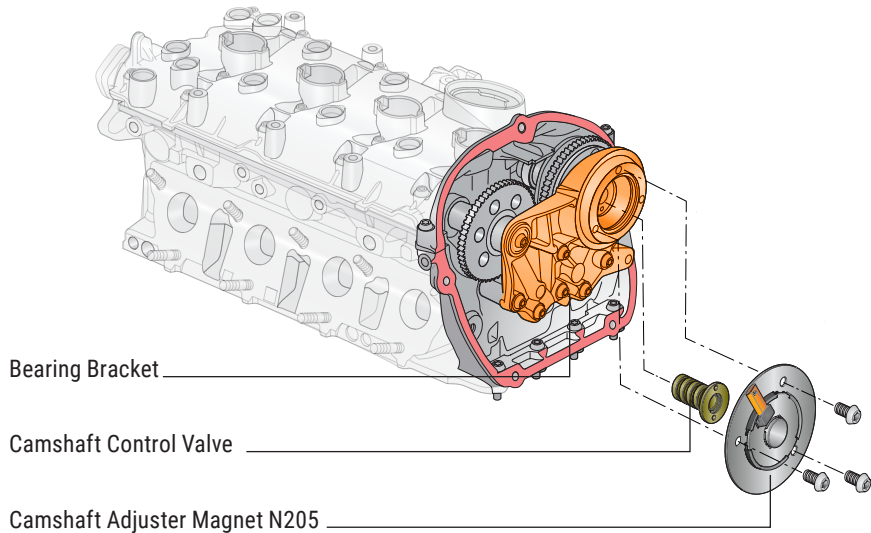
BEARING BRACKET, CAMSHAFT

ENGINE-CONTROL | 11314

Function

The bearing bracket is screwed to the cylinder head. In addition to bearing the camshaft, it supplies oil to the camshaft brackets and the intake camshaft adjuster.

The camshaft bracket is equipped with a sieve that filters the oil coming from the cylinder head and therefore prevents impurities from getting into the adjusters. The camshaft adjuster magnet is attached to the camshaft bracket with three bolts in a single mounting position.



SYMPTOMS

- Reduced engine performance
- Increased exhaust emissions
- Loud engine function
- Engine check-light turns on



FAILURE CAUSES

- Clogged or dirty sieve in the bearing bridge
- Lack of lubrication in the camshaft and adjuster
- Friction in the receiving bearing for the camshafts



CONSEQUENTIAL DAMAGES

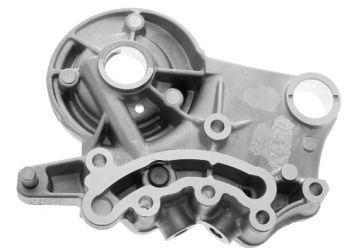
- Incorrect adjustment of the camshaft
- Engine damage

BEARING BRACKET, CAMSHAFT BY VAICO

This and other articles from the Bearing Bracket, Camshaft range can be found on www.autoteile.de

- **only in OE quality:** timing chain cover, bearing bracket, camshaft control valves and camshaft adjuster magnet
- **bearing surfaces in the highest CNC quality**
- **Also available as a practical repair set:** bearing bracket, timing chain cover, valve, central magnet and plug housing in one kit

BEARING BRACKET, CAMSHAFT



Audi	A1, A3, A4, A5, TT
Seat	Leon
Škoda	Octavia
VW	Golf, Passat, Tiguan
Engine	1.8 & 2.0 TFSI

X-Ref 06H 103 144 K*

V10-4755

BEARING BRACKET, CAMSHAFT

ENGINE-CONTROL | 11314

TIMING CHAIN COVER - UPPER



Audi	A1, A3, A4, A5, TT
Seat	Leon
Škoda	Octavia
VW	Golf, Passat, Tiguan
Engine	1.8 & 2.0 TFSI

X-Ref 06H 103 269 H*

V10-4898

CAMSHAFT CONTROL VALVE



Audi	A1, A3, A4, A5, TT
Seat	Leon
Škoda	Octavia
VW	Golf, Passat, Tiguan

Info hydraulic

Engine 1.8 & 2.0 TFSI

X-Ref 06H 109 257 A*

V10-3732

CAMSHAFT CONTROL VALVE



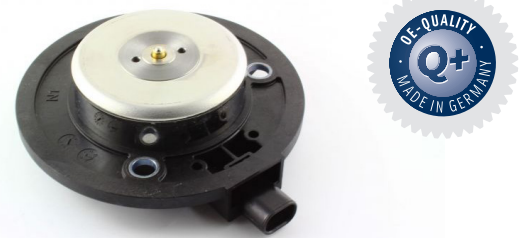
Audi	A1, A3, A4, A5, TT
Seat	Leon
Škoda	Octavia
VW	Golf, Passat, Tiguan
Engine	1.8 & 2.0 TFSI

X-Ref 06H 109 257 C*

V10-3846

CAMSHAFT ADJUSTER MAGNET

NEW



Audi	A1, A3, A4, A5, TT
Seat	Leon
Škoda	Octavia
VW	Golf, Passat, Tiguan

Engine 1.8 & 2.0 TFSI

X-Ref 06L 109 259 A*

V10-0866

* For detailed vehicle information, please refer to the vehicle lists under www.autoteile.de.

Notes: Temporary offers are only valid while stocks last. All offers remain subject to prior sale. Our general terms and conditions of sale and delivery as well as our warranty conditions apply, which are available for download on our website. All prices are net prices. Errors excepted. Reference numbers and names, with the exception of VIEROL AG, are for comparison only and may not be disclosed in invoices. They are non-binding and no indication of origin. © VIEROL AG