

# SERVICE

FAG

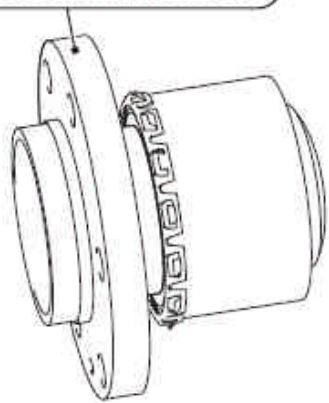
	✓			

# SERVICE

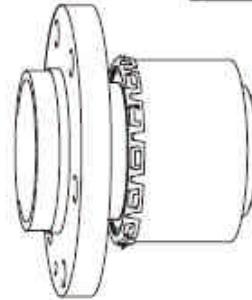
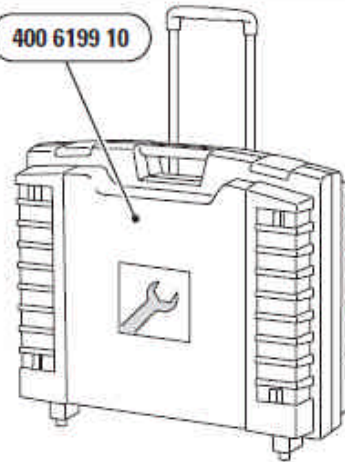
FAG

	✓			

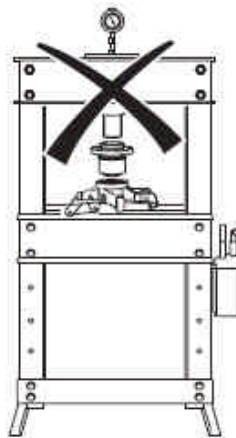
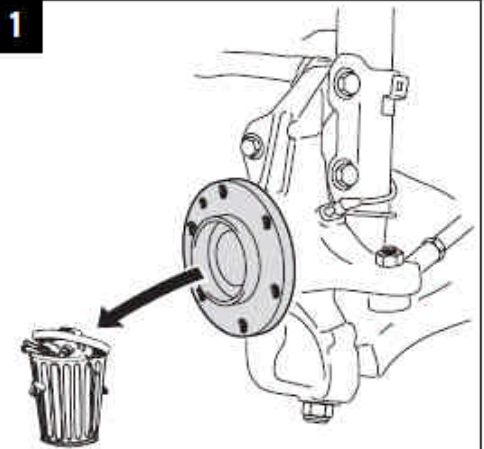
713 6680 10 / 713 6680 20 / 713 6680 50



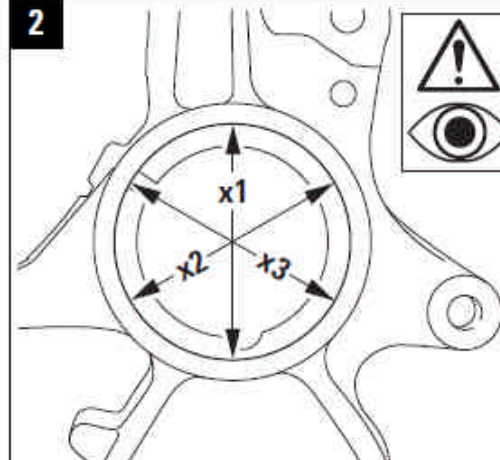
400 6199 10



1

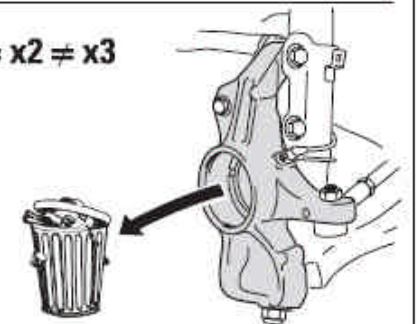


2



$x1 = x2 = x3$  ✓ → 3

$x1 \neq x2 \neq x3$

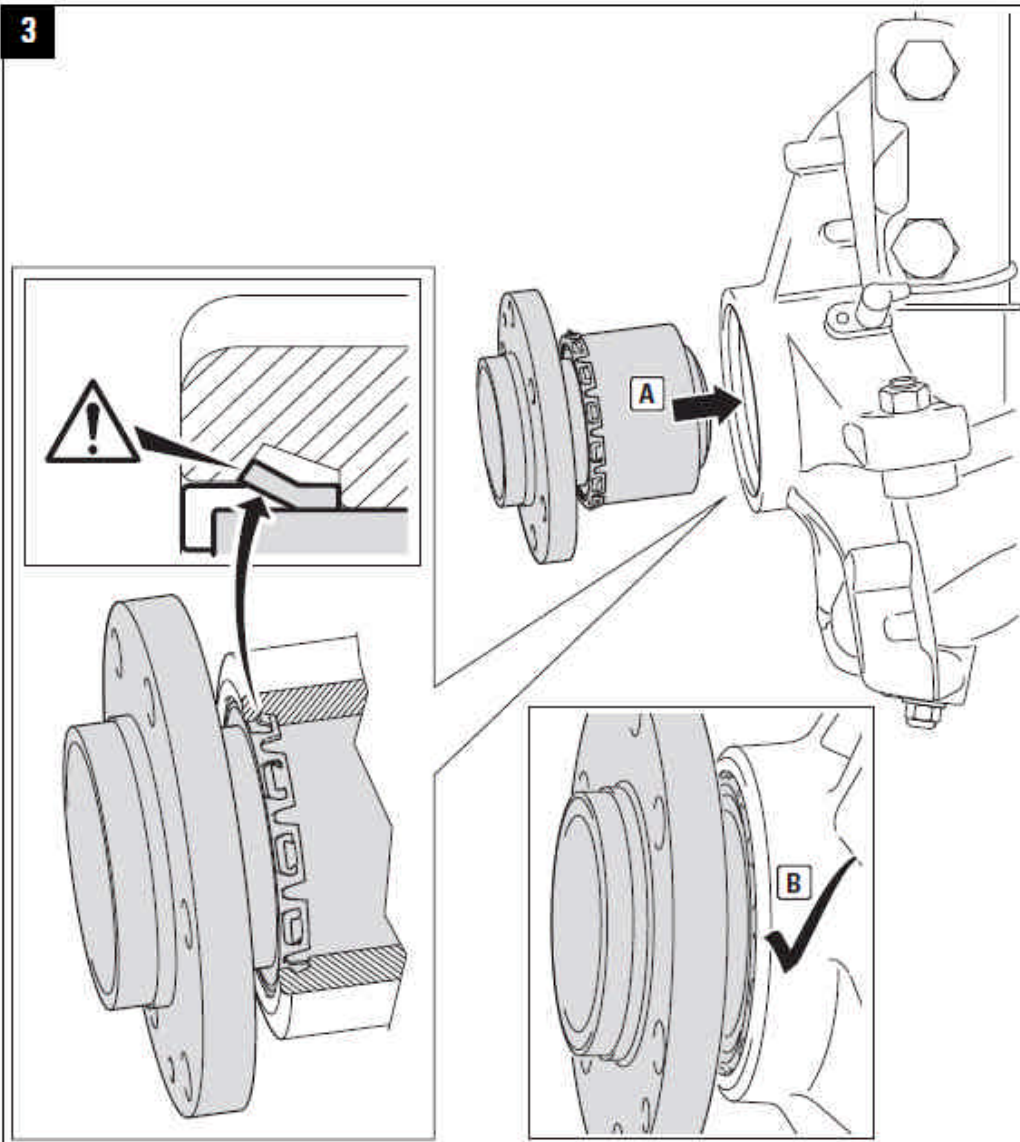


# SERVICE

FAG



3



# SERVICE

FAG

