



## Service Info



# Assembly notice 713 6189 70/713 6211 50

## Different CV Joint diameters

Manufacturer: Toyota

Models: AURIS  
 AVENSIS Station Wagon  
 AVENSIS Saloon  
 RAV 4 III  
 VERSO

Year of construction:  
 AURIS 10/2006 -  
 AVENSIS 02/2009 -  
 RAV 4 III 11/2005 -  
 VERSO 04/2009 -

Art. no.: 713 6189 70  
 713 6211 50



Figure 2: The diameter of the CV Joint spline is different

Two different FAG wheel bearing sets are offered for the abovementioned vehicles. The two wheel bearings are nearly identical to one another and differ only according to the diameter of the CV Joint splined shaft that fits into the wheel hub.

In order to select the correct bearing, the outer diameter of the splined section the CV Joint shaft must be measured (Figure 1) and the corresponding wheel bearing must be used.

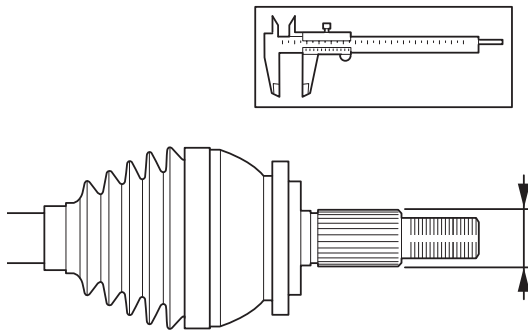


Figure 1: In order to identify the correct wheel bearing, measure the outer diameter of the CV joint splined shaft

CV joint splined shaft	Article number
≈ 27 mm	713 6189 70
≈ 31 mm	713 6211 50

Please observe the vehicle manufacturer specifications!

### You want more? We can help!

Phone: +44 (0) 1432 264 264\*

Fax: +44 (0) 1432 375 760

hfd-info@schaeffler.com

www.schaeffler-aftermarket.co.uk

\* Calls from within the UK 08457 001100

