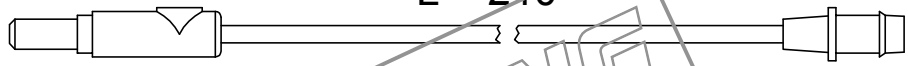
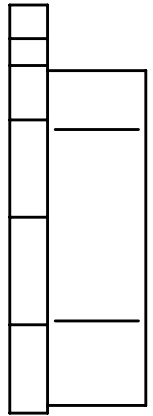
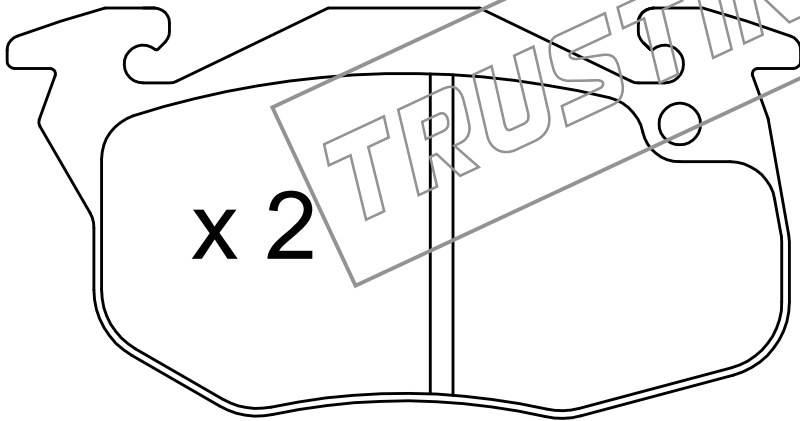


x 2

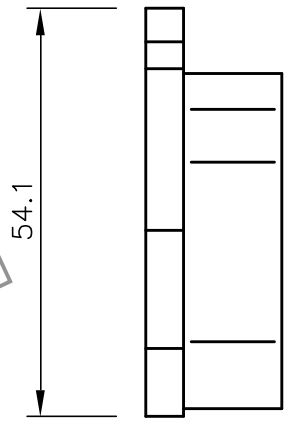
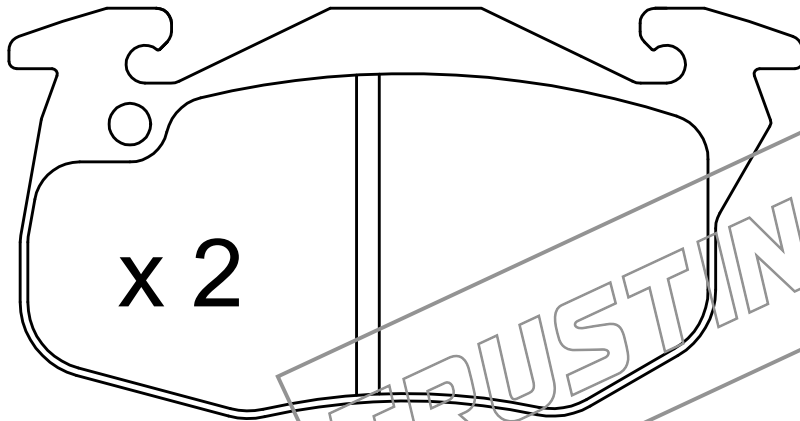
L = 210



x 2



x 2



54.1

105.1

18

TRUSTING