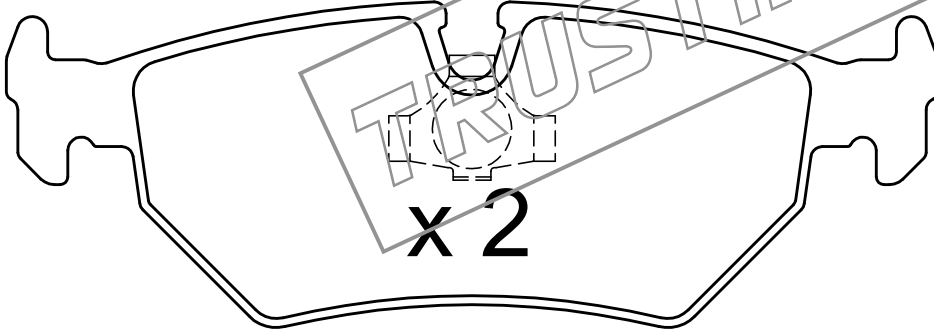


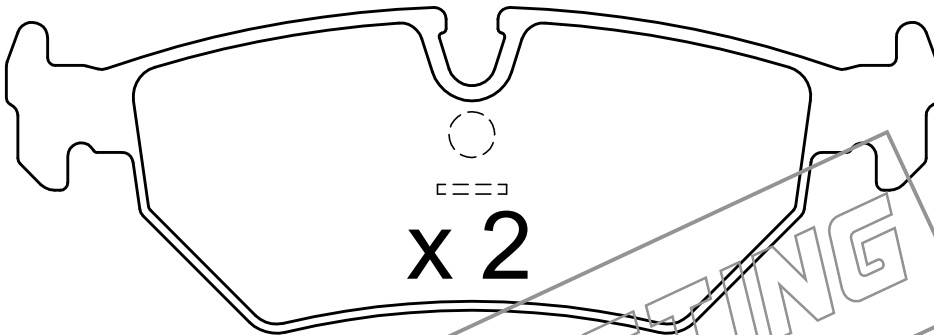
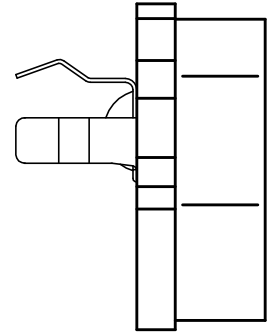
x 2



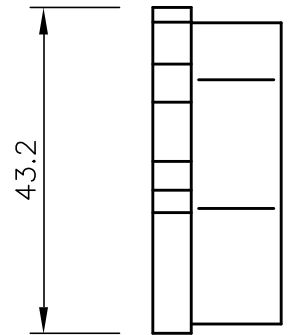
$L = 305$



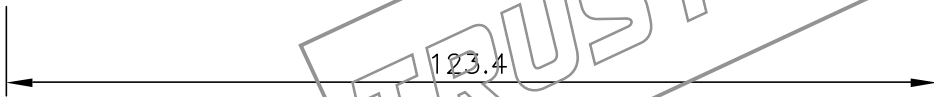
x 2



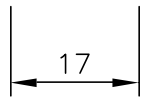
x 2



43.2



123.4



17

TRUSTING