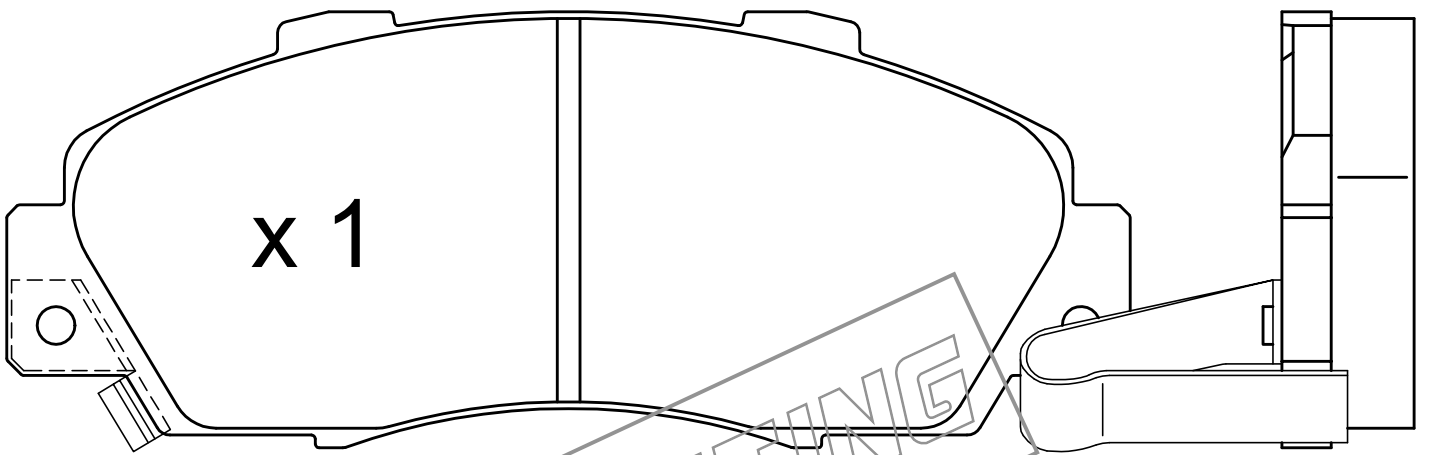


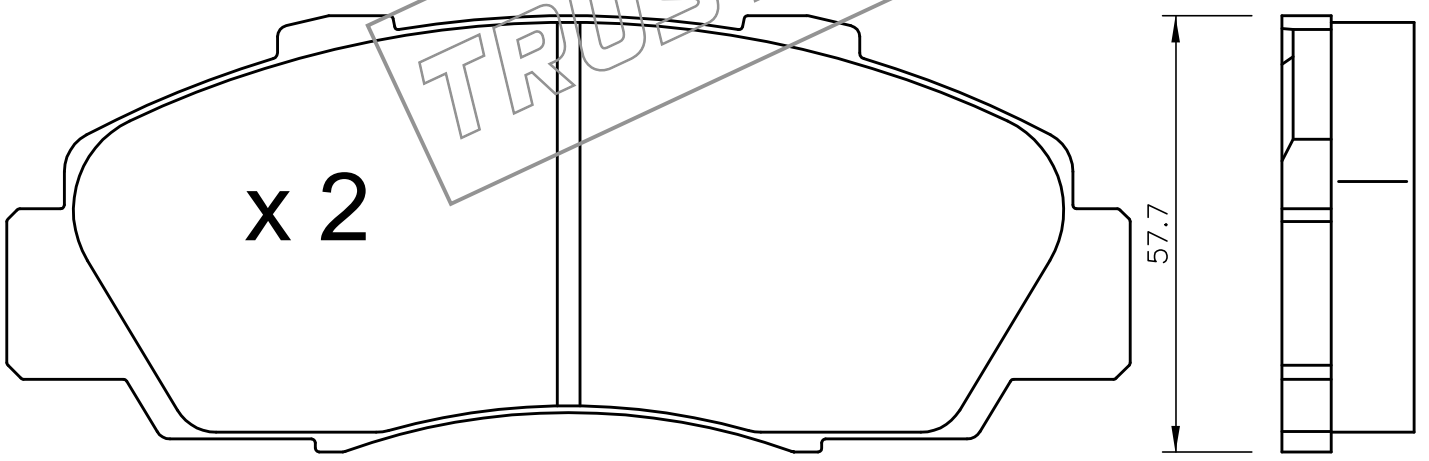
x 1

TRUSTING



x 1

TRUSTING



x 2

TRUSTING

148.6

57.7

17.5