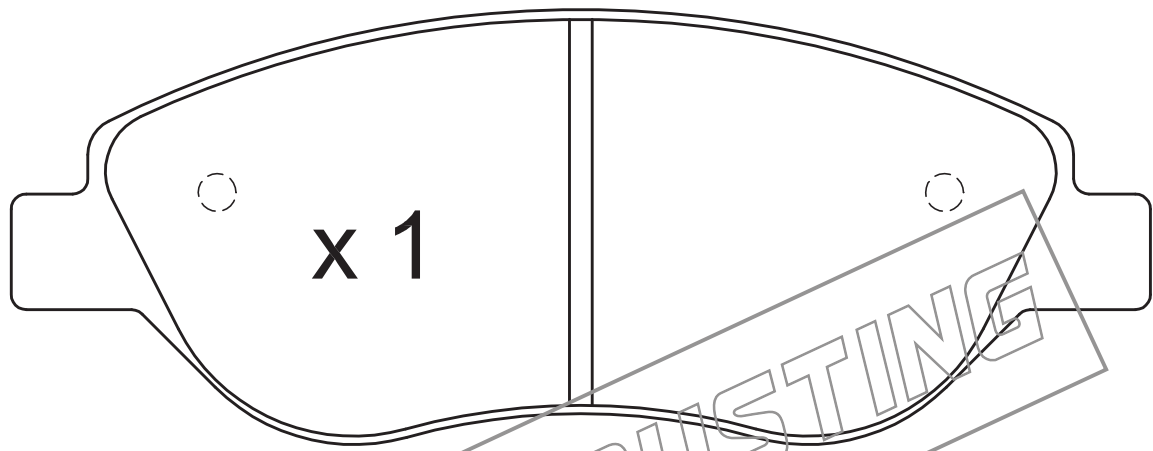
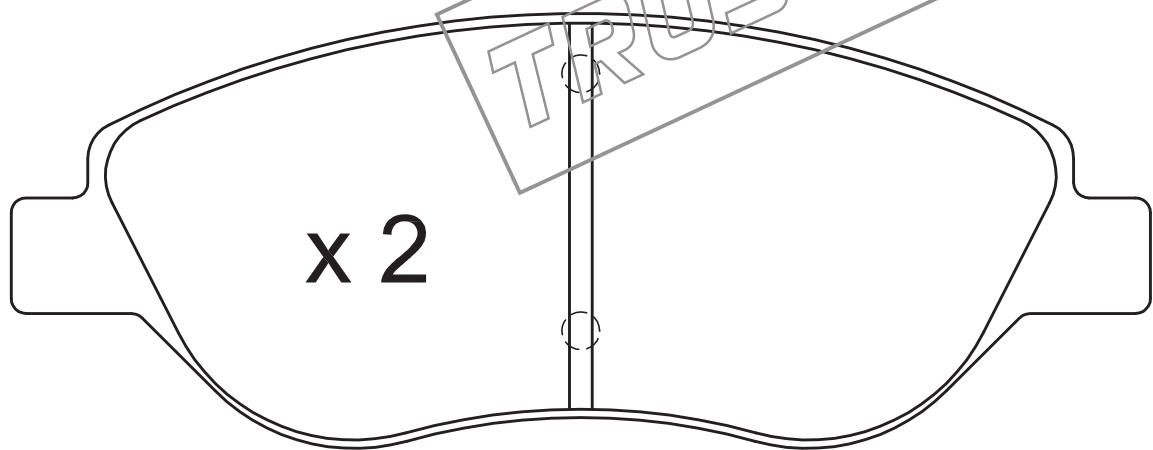


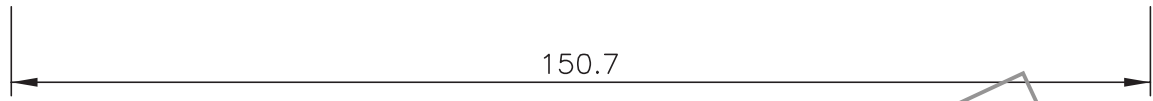
x 1



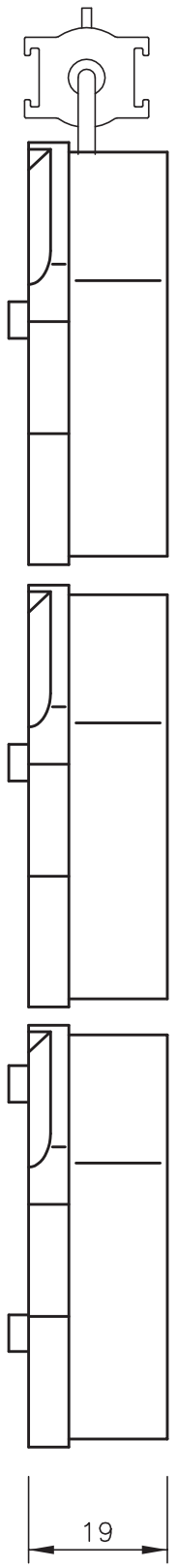
x 1



x 2



150.7



57.6

19

TRUSTING