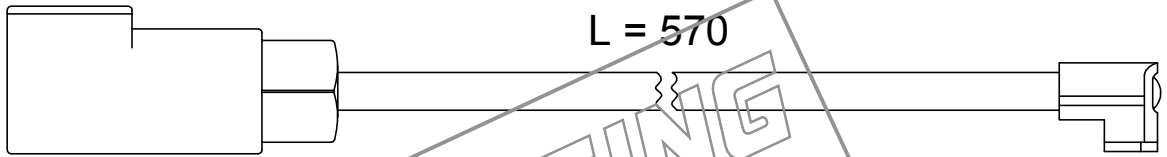
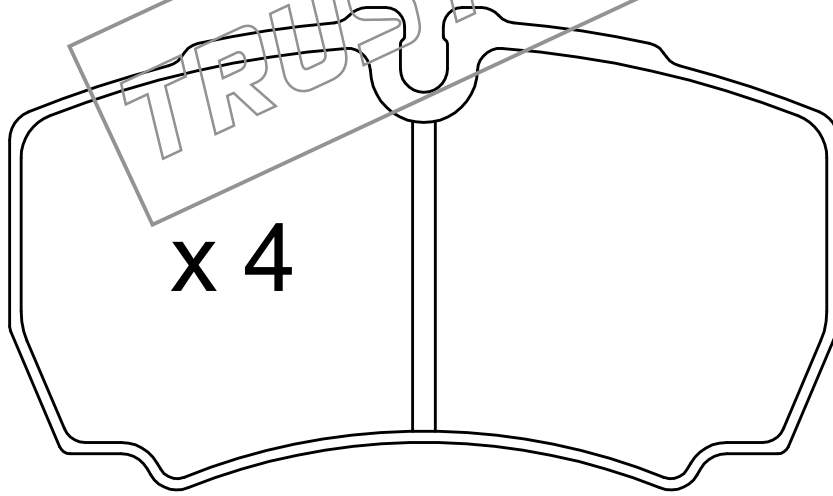


x 2



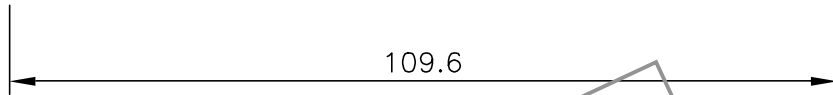
L = 570

x 4

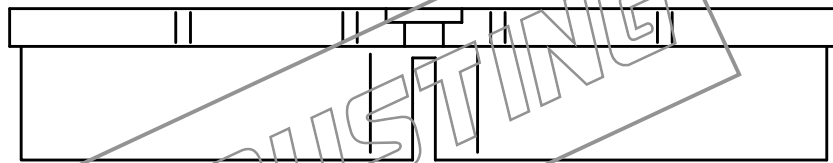


63.8

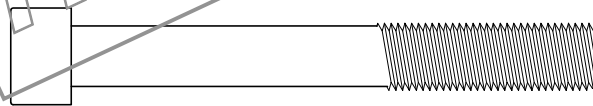
109.6



20



x 4



L = 78

TRUSTING