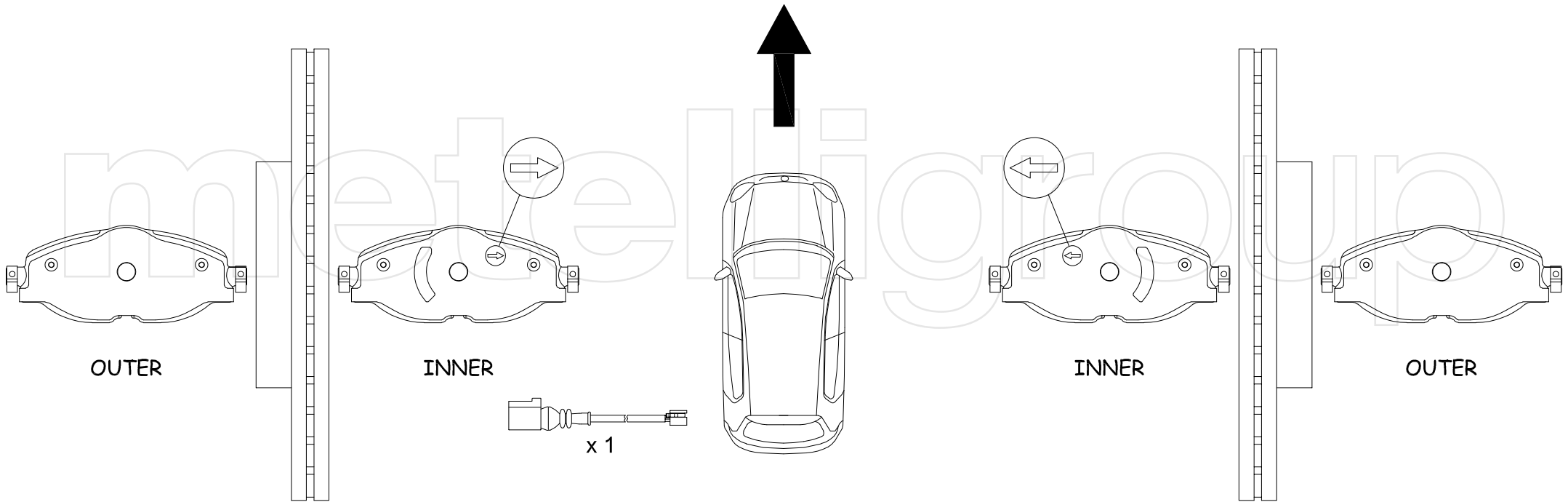


LEFT WHEEL

DISC ROTATION

RIGHT WHEEL



OUTER

INNER

INNER

OUTER

x 1