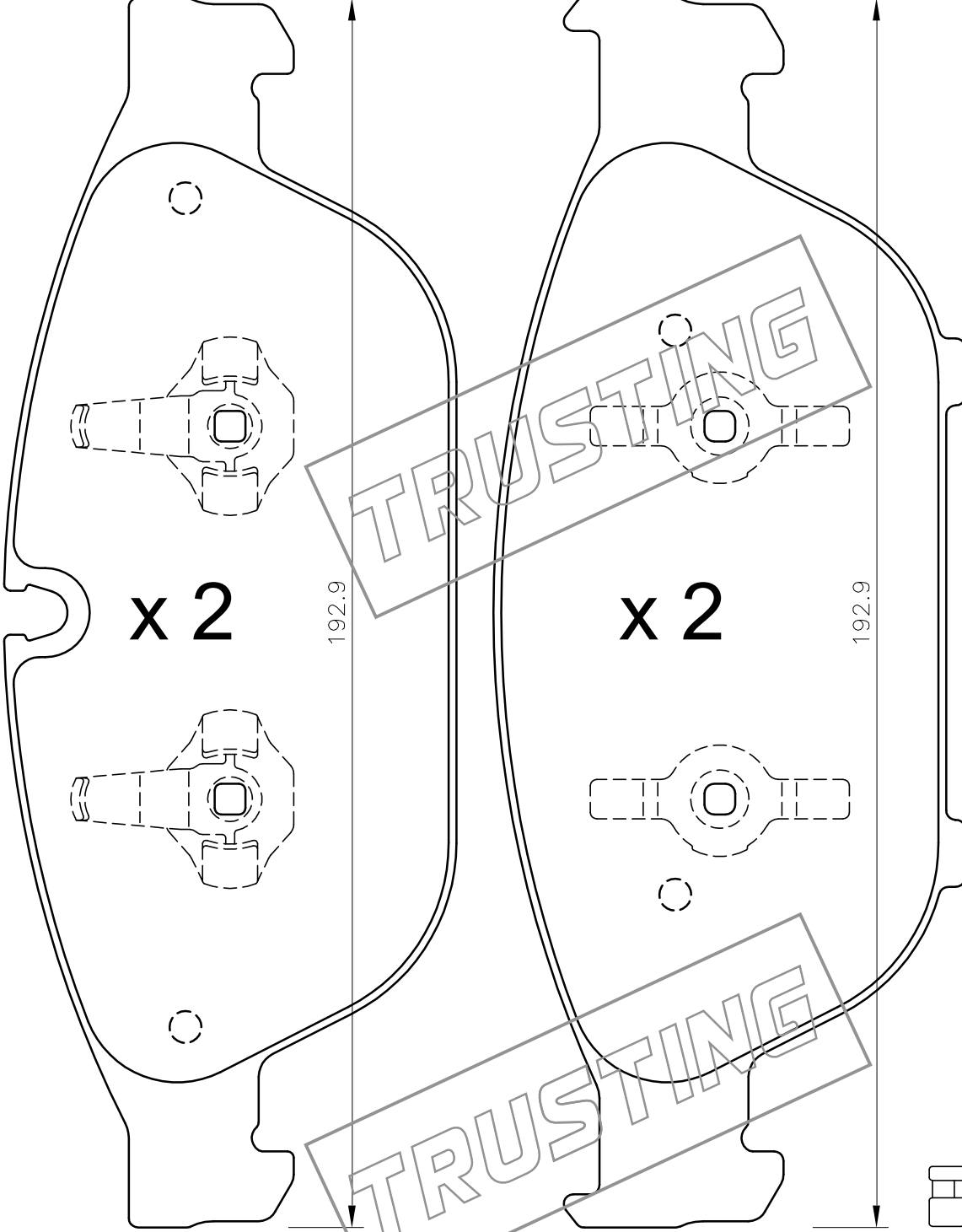


TRUSTING

70.9      74



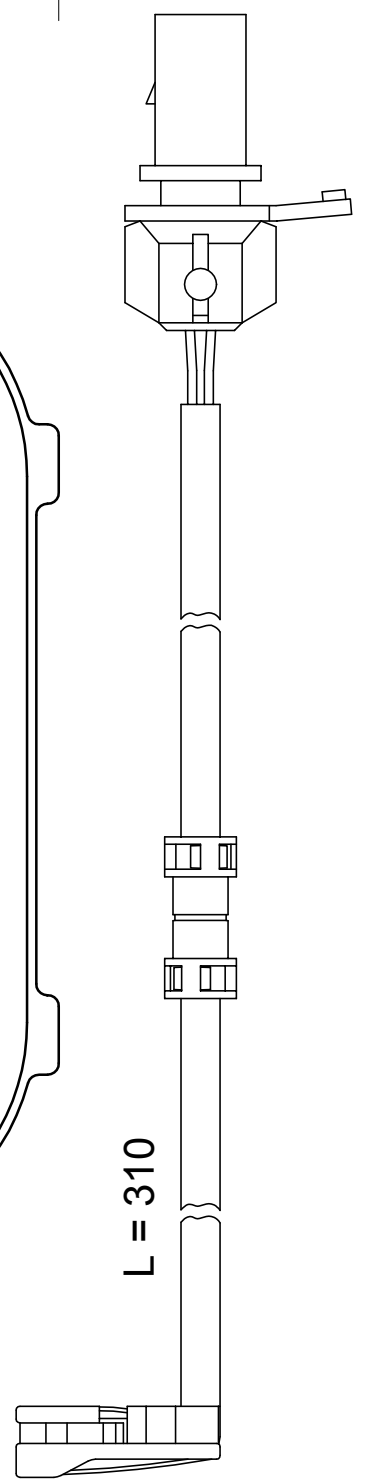
TRUSTING

x 2

x 2

TRUSTING

x 2



L = 310