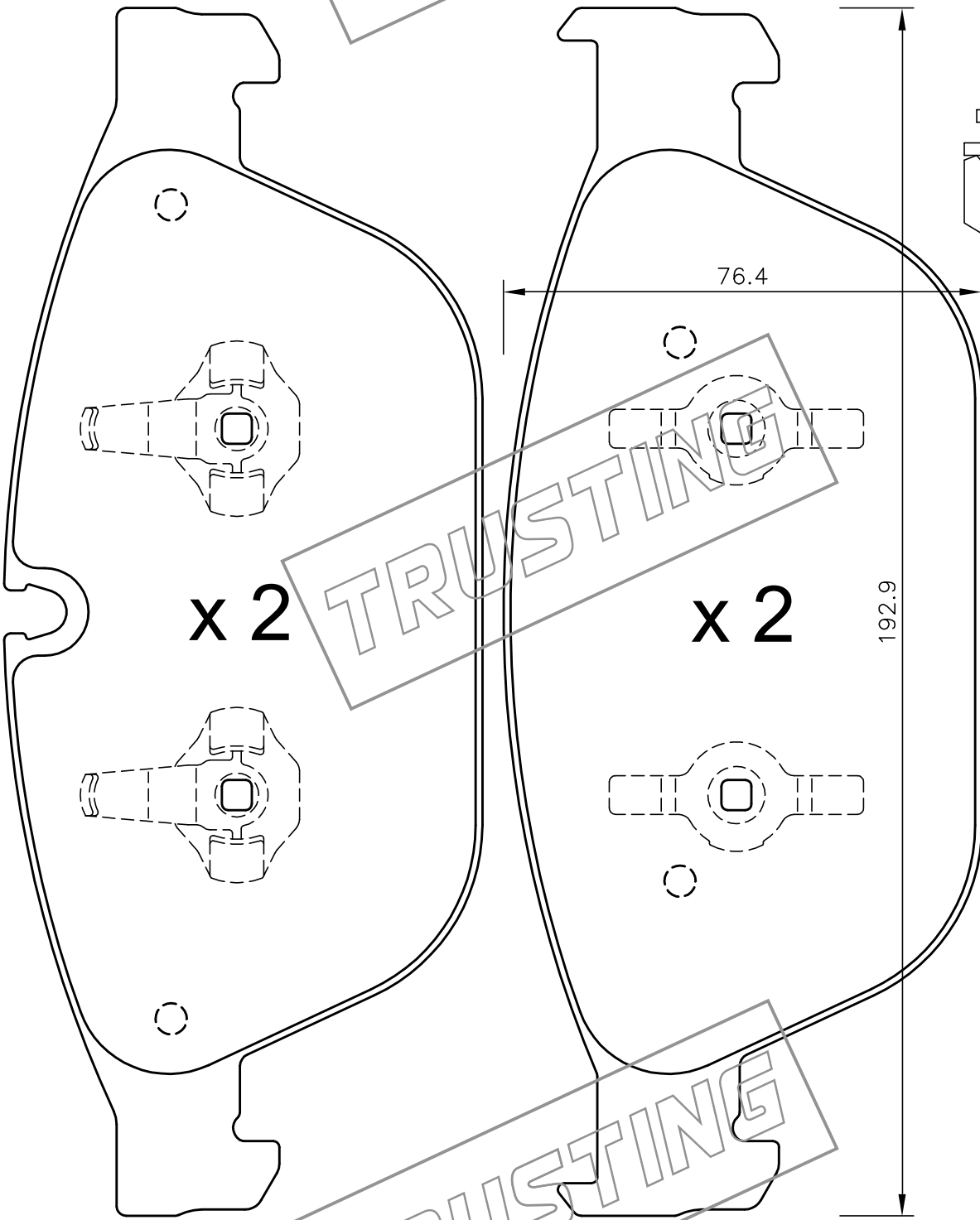


x 2

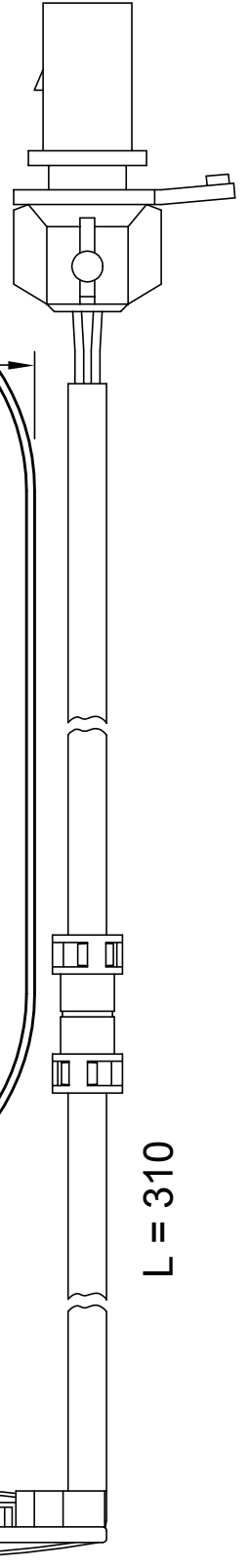


x 2

x 2

192.9

76.4



L = 310

TRUSTING