



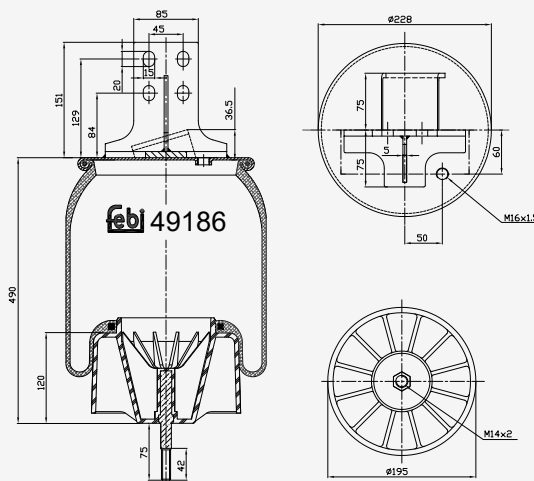
febi 49186



To Fit:

Iveco EuroStar, EuroTech, Stralis E4, Stralis AD CNG E6, Stralis AD E4, Stralis AD E6, Stralis AS E4, Stralis AS E6, Stralis AT CNG, Stralis AT E4, Stralis AT E6

Repl. no. 0 4122 5901



Convincing Quality – Air springs from febi

Trucks and buses are regularly subjected to high variations in the load. Since steel springs can only be designed for one load state, the design is usually based on the permissible total mass. Accordingly, the suspension of the vehicle has an excessively hard setting in the unloaded state.

As compared to steel springs, air springs - apart from being faster and less expensive to repair - have the decisive advantage that thanks to the air pressure being variably adjustable, they can be adjusted to the current load state of the vehicle. This results in a high degree of comfort and guarantees protection of the load. Moreover, the adjustable frame height simplifies negotiating different ramp heights and the handling when changing flatbeds.

Owing to weather conditions, external influences like stone impacts and the high vehicle weight under what are often bad road conditions, air springs are susceptible to wear.

Currently, febi offers more than 270 different air springs (with or without pistons and covers) for trucks, buses and trailers.

All the air springs are manufactured by our partner manufacturers using the steam vulcanisation process according to the OEM requirements and ensure ideal dynamic properties as well as long and reliable service periods. Additional 100% leak tests and regular service life tests underscore the high quality demands.

For more technical information please visit: partsfinder.bilsteingroup.com