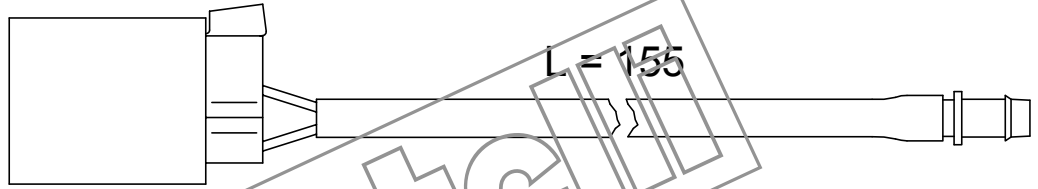
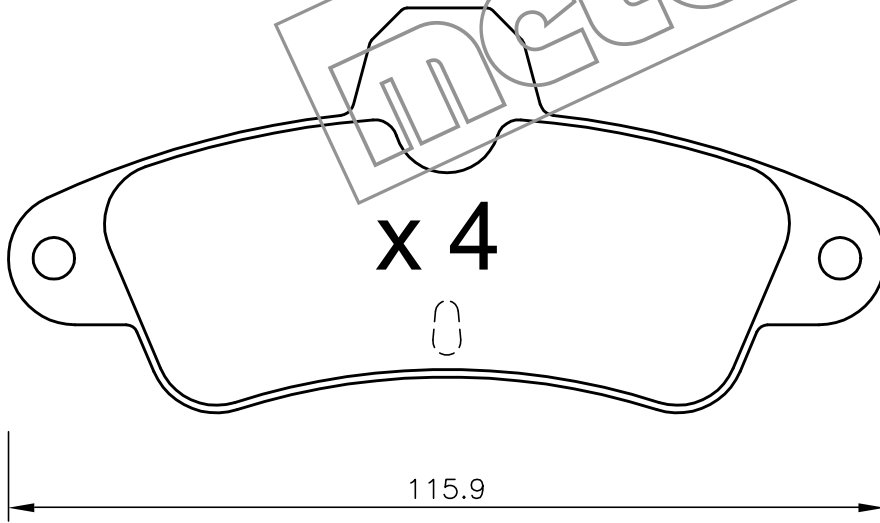


x 2

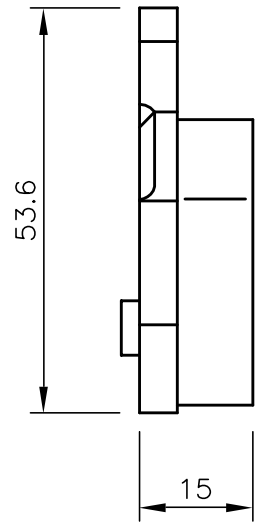


L = 155

x 4



115.9



53.6

15

metelli

metelli