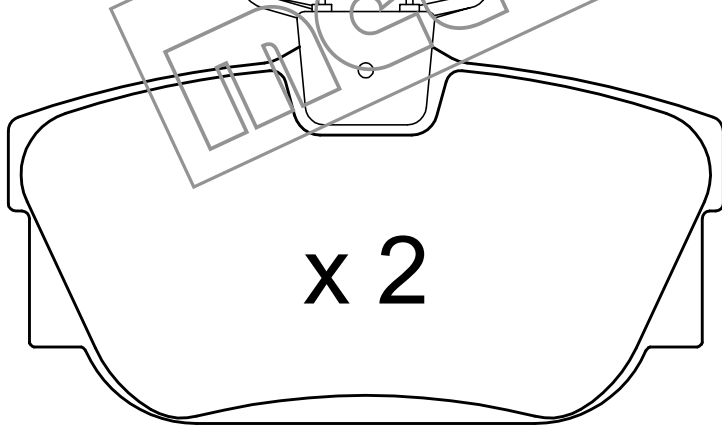
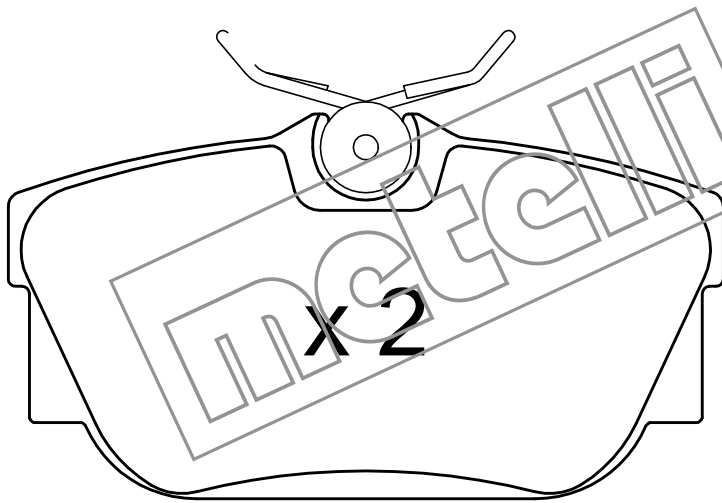
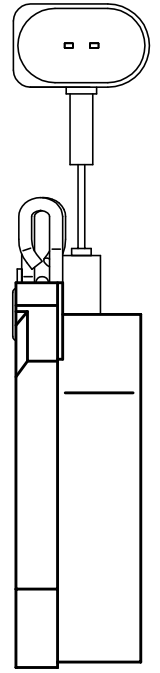


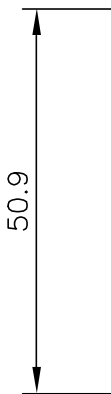
L = 205



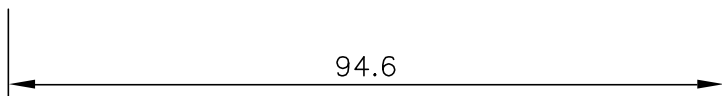
x 2



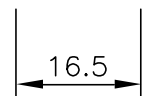
x 2



50.9



94.6



16.5

metelli