

44

TECHNICAL REPORT

VAG 56003500 cylinder head
cover gasket kit assembly

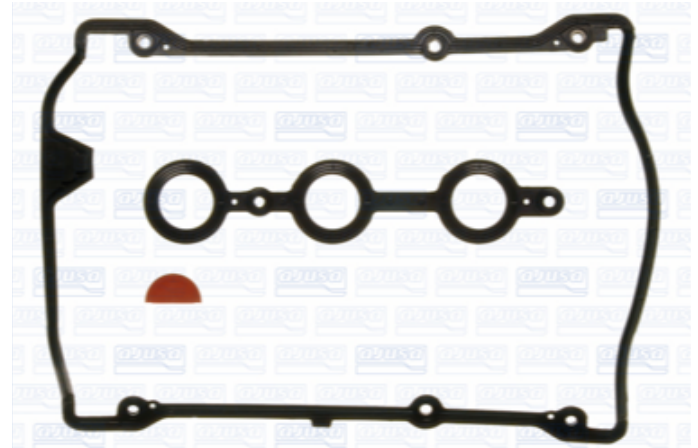


PURPOSE

Instructions for the correct assembly of the cylinder head cover gaskets for VAG petrol V6 2.4 and 2.7 liters. Specifications and tighten procedure.

DESCRIPTION

This part number fits on V6 engines, so one engine will need 2 gasket kits, one for each cylinder head.

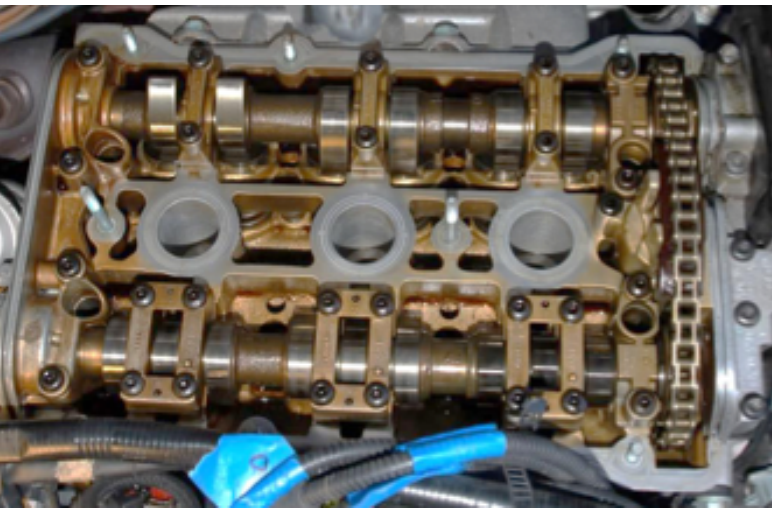


Applicable engines and models

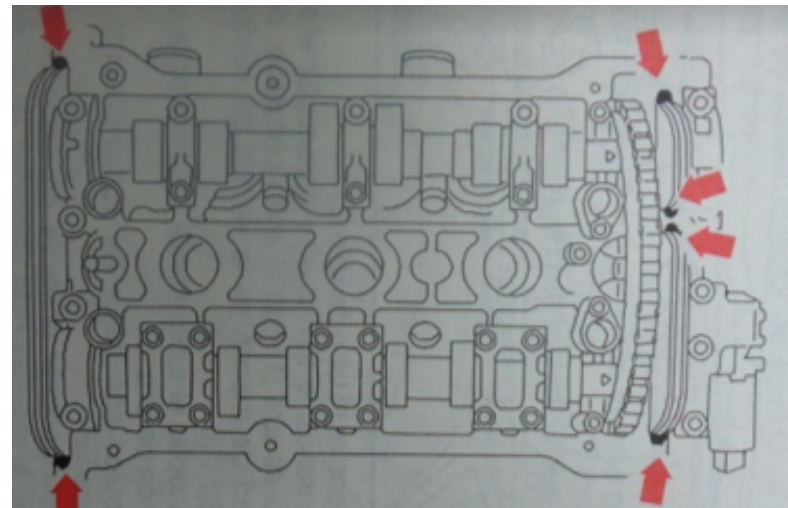
BRAND	MODEL	C.C	ENGINE TYPES
AUDI	A4 V6 30V	2393	ALF, AML, AMM, BDV, AGA, AJG, APS, APZ, ARJ
		2771	ACK, ALG, AMX, APR, AQD, ATX, ACK
	A6 V6 30V	2393	AMM, AML, BDV, AGA, AJG, APZ, APC, ALF, ALW, ARJ, APS, ARN, ASM
		2671	AJK, ARE, AZA, BES
		2771	AMX, APR, AQD, ATX, ACK, AGE, ALG
		2771	ACK, APR, AQD, ATX, AMX, ACK, ALG
	ALLROAD QUATTRO V6 TURBO 30V	2671	ARE
	RS4 TURBO V6 30V	2671	ASJ, AZR
	S4 V6 30V	2671	AGB, AZB
S6 V6 30V	2671	AJK	
VOLKSWAGEN	PASSAT GL/GLS/GLX V6 30V	2771	ATQ
	PASSAT V6 30V	2771	AGE, ACK, APR, AQD, ALG, ATX, BBG, AMX, ATQ
SKODA	SUPERB V6 30V	2771	AMX, BBG

* For further information about the applicable models of these gaskets please check our **General Catalogue**.

ASSEMBLY

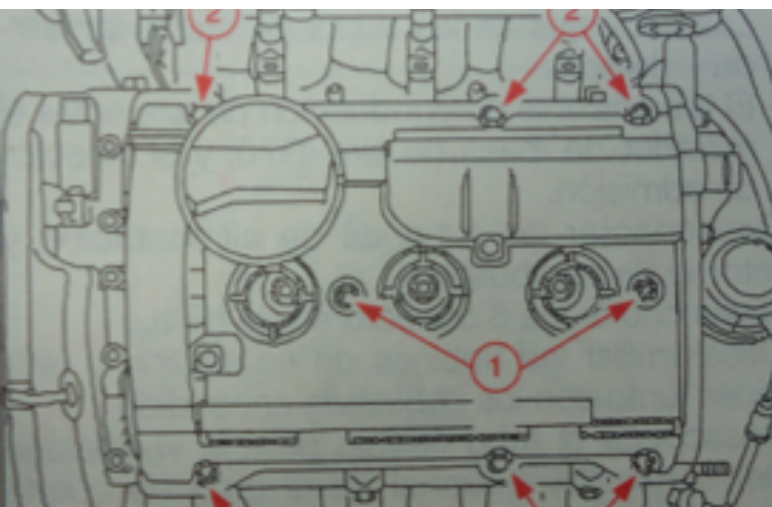


- 1 Clean all surfaces before installing the new gasket. Install the new gasket with special attention where the gasket fits into the slots on the sides of the cylinder head.



- 2 Apply sealant (Ajusil) in the transition area of the caps in the cylinder head as shown in the repair manual.

* To ensure the correct sealing of the cylinder head cover gasket, is absolutely **necessary the application of this small quantity of silicone sealant** over the mentioned transition areas.



- 3 Tighten the nuts of the rocker cover always following the specified torque.

- Start tightening the nuts on the outside of the cover (2) crosswise
- Then tighten the center (1)
- Torque 1 kpm