

61

TECHNICAL REPORT

VAG camshaft seal assembly



PURPOSE

To inform about the particularities of the assembly of camshaft seal 00856500 in VAG group engines.

DESCRIPTION

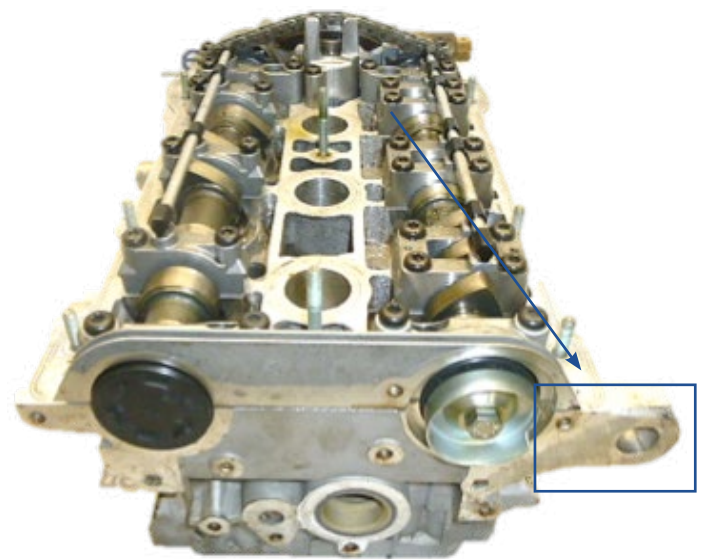
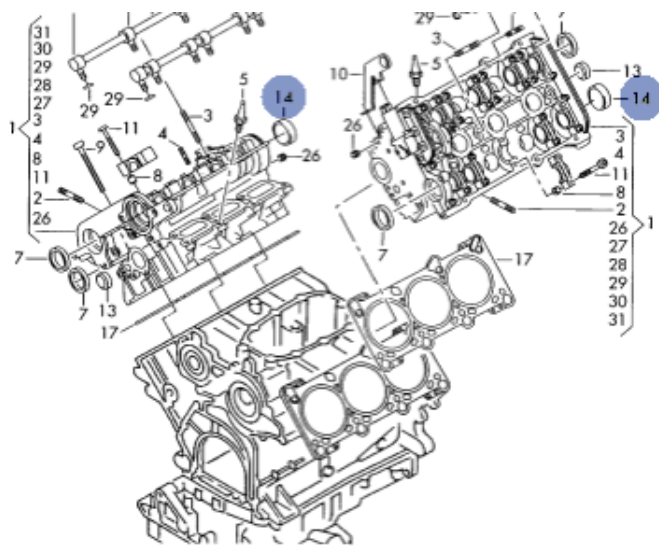
VAG group engines from 2.4 to 3.0 mount a camshaft seal with the purpose of avoiding leakage in that zone. This seal mounts in the following models:



Seal 00856500

| BRAND | MODEL | ENGINES |
|------------|----------------|--|
| AUDI | Audi A4 | AAH, ABC, ACK, ACZ, AEJ, AFB, AFC, AFM, AGA, AGB, AGE, AHA, AJG, AJK, AKC, AKE, AKN, ALF, ALG, ALW, AML, AMM, AMX, ANK, APB, APC, APR, APS, APZ, AQD, AQF, AQG, AQH, AQJ, ARE, ARJ, ARN, ARS, ARU, ASB, ASG, ASJ, ASM, ATX, AUW, AUX, AVP, AWN, AYM, AYS, AZA, AZB, AZR, BAU, BBD, BCS, BCY, BCZ, BDG, BDH, BDV, BEL, BES, BFC, BFL, BFM, BKM, BKN, BMK, BND, BNG, BPP, BRV, BSG, BUG, BUN, CAMA, CAMB, CANA, CANB, CANC, CAND, CAPA, CASA, CASB, CATA, CCLA, CCMA, CCWA, CCWB, CDSB, CDYA, CDYB, CDYC, CGKA, CGKB |
| | Audi A5 | |
| | Audi A6 | |
| | Audi A8 | |
| | Audi Q5 | |
| | Audi Q7 | |
| | Audi Coupe | |
| | Audi Cabriolet | |
| | Audi 80 | |
| Audi 100 | | |
| SKODA | Skoda Superb | AMX, AYM, BBG, BDG |
| VOLKSWAGEN | VW Passat | ACK, AFB, AGE, AHA, AJS, AKN, ALG, AMX, APR, AQD, ATQ, ATX, AXQ, BAU, BBG, BDG, BDH, BGH, BGJ, BHX, BUN, CARA, CARB, CASA, CASB, CASC, CASD, CATA, CEXA |
| | VW Phateon | |
| | VW Touareg | |

In those models with a V6 petrol engine, the German group recommends to **apply a little amount of sealant** in seal 00856500 in order to avoid oil leakage and ensure a perfect sealing.



Seal location inside the engine