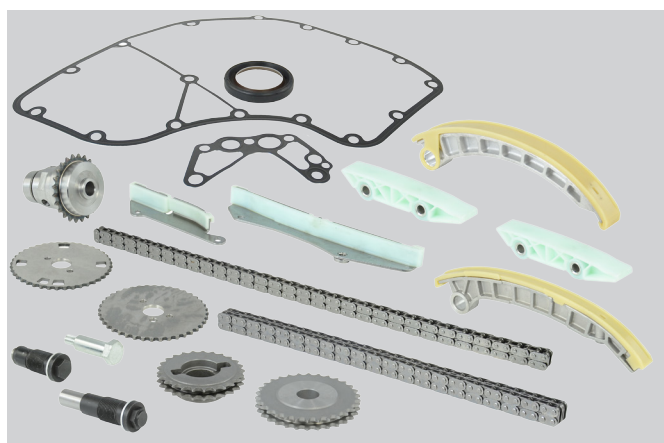


# Technical Bulletin

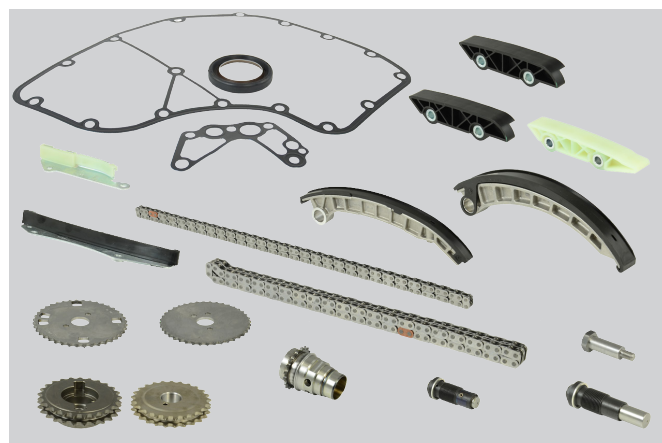
## PSA & FIAT IVECO F1CE3481N/D/E (F30DT)

### TCK194C vs. TCK194LC



#### TCK194C

Engine number to: 1442629 & up to emission standard: Euro IV  
Contains TCK194NG & TCK195NG



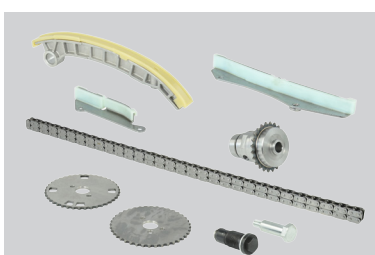
#### TCK194LC

Engine number from: 1442630 & from emission standard Euro V  
Contains TCK194LNG & TCK195LNG

#### Fitting Position: Upper

**TCK194NG** - Engine number to: 1442629 & up to emission standard: Euro IV

**TCK194LNG** - Engine number from: 1442630 & from emission standard Euro V



TCK194NG: Chain:  
Simplex, Closed Link, **122**  
Links



TCK194LNG: Chain:  
Simplex, Closed Link, **120**  
Links

**Note:** Injection Pump Sprocket design on the later **TCK194LNG** is different due to the shorter chain.



Best Availability. Best Value.  
Best Quality. Best Service.

TB0002-1



# Technical Bulletin

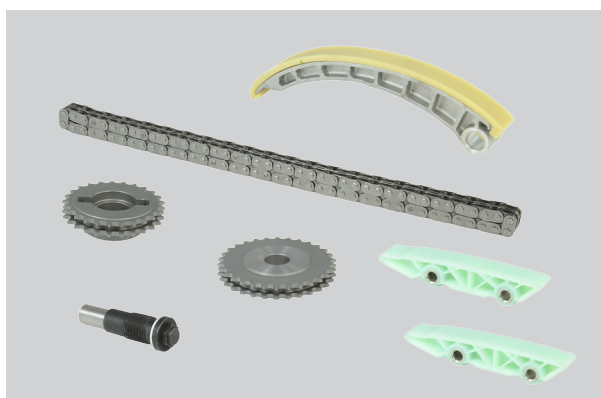
## PSA & FIAT IVECO F1CE3481N/D/E (F30DT)

### TCK194C vs. TCK194LC

Fitting Position: Lower

**TCK195NG** - Engine number to: 1442629 & up to emission standard: Euro IV

**TCK195LNG** - Engine number from: 1442630 & from emission standard Euro V

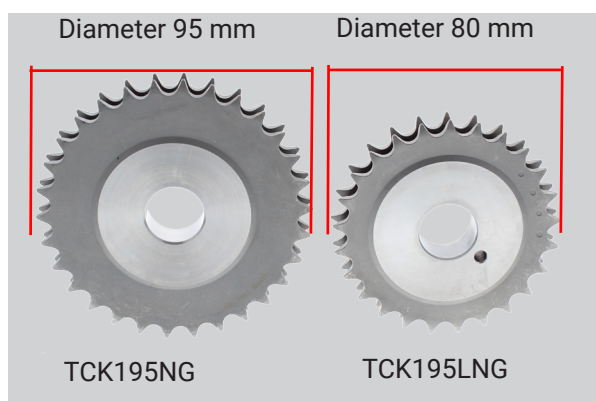


TCK195NG: Chain: Duplex, Closed Link, 84 Links



TCK195LNG: Chain: Duplex, Closed Link, 84 Links

**Note:** Guide rails and crankshaft gear are different.



Diameter 95 mm

Diameter 80 mm

TCK195NG

TCK195LNG

Crankshaft Gear



TCK195NG

TCK195LNG

Guide Rails



**Best Availability. Best Value.**  
**Best Quality. Best Service.**

TB0002-1

