

Identification of the correct tensioner pulley 531 0399 20 and 531 0500 20

Manufacturer:

Audi, Seat, Skoda, Volkswagen

Model:

- **Audi** A3, TT, TT Roadster
- **Seat** Alhambra, Leon, Toledo II
- **Skoda** Octavia
- **Volkswagen** Bora, Golf IV, New Beetle

Engine:

1.8, 1.8T

LuK AS Part No.: 531 0399 20
531 0500 20

OE-No.:

531 0399 20 06B 109 243 (activ)
531 0500 20 06B 109 243 F (activ)
06B 109 243 D
06B 109 243 A

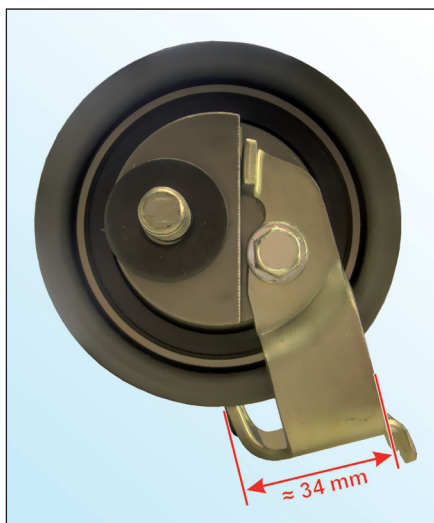


Fig. 1: 531 0399 20

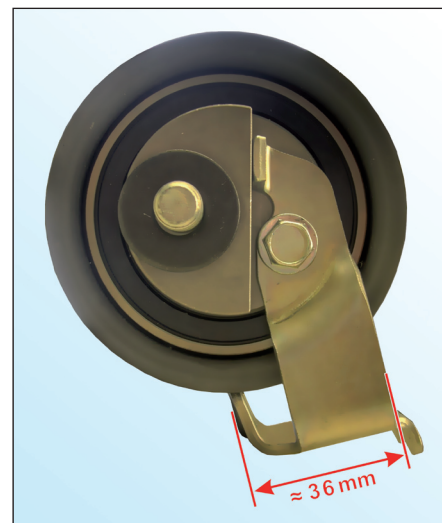


Fig. 2: 531 0500 20

When replacing the tensioner pulley for the timing belt, precise vehicle allocation should be checked.

It is almost impossible to differentiate between tensioner pulleys **531 0399 20** and **531 0500 20** from the sight.

If the wrong tensioning pulley is fitted, the **engine could be damaged**.

Please follow the vehicle manufacturer's instructions.

Note:

These tensioning pulleys are **not** interchangeable due to the differing geometry of the end stops.

Appropriate spare parts can be found in our on-line catalogue at www.Schaeffler-Aftermarket.com or in RepXpert at www.RepXpert.com.

Issued 06.2008
INA 0021

Technical subject to change
© 2008 LuK-Aftermarket Service oHG

For further information:

Phone: +44 (0) 14 32 264 264*
Fax: +44 (0) 14 32 375 760
Info@LuK-AS.co.uk
www.Schaeffler-Aftermarket.com
* Calls from within the UK 08457 001100

