



1/2

Service Info



Repair set 533 0118 10

for the tensioning unit in the assembly drive

Manufacturers: Audi, Škoda, Volkswagen

Models:

Audi: A4, A6, A8

Škoda: Superb

Volkswagen: Passat

Engine: 2.5 TDI

Part no.: 533 0118 10 (SET)

All components in the tensioning unit (Image 1) are designed to achieve the same service life and are subject to the same amount of wear. This level of wear is particularly high at the pivot points and fixing points. For this reason, it is advisable to always replace the entire tensioning unit (which is not available as an assembly).

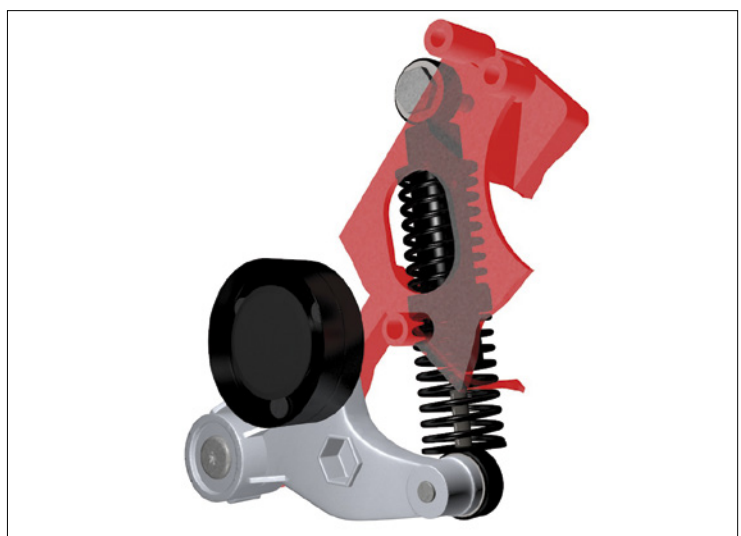


Image 1: Entire tensioning unit

With this in mind, Schaeffler Automotive Aftermarket is offering a complete repair set (Page 2/ Image 3) for the vehicles specified above.

In addition to the wearing parts, the repair set also includes all the fixing parts required (Image 2), as well as detailed instructions for assembly.

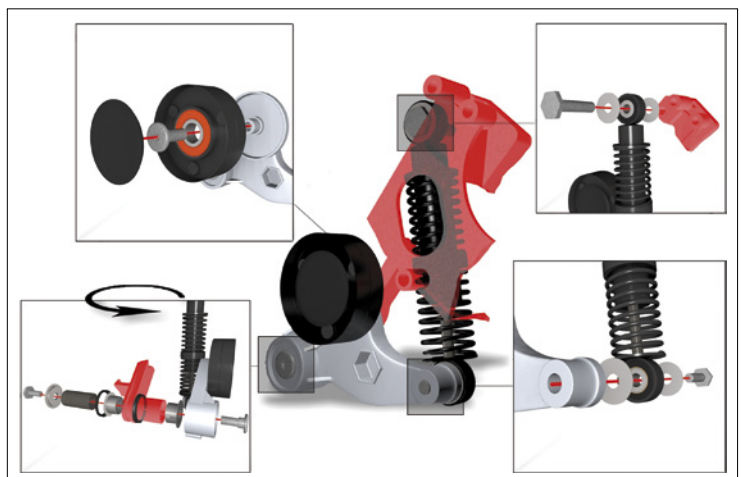


Image 2: Overview of fixing parts

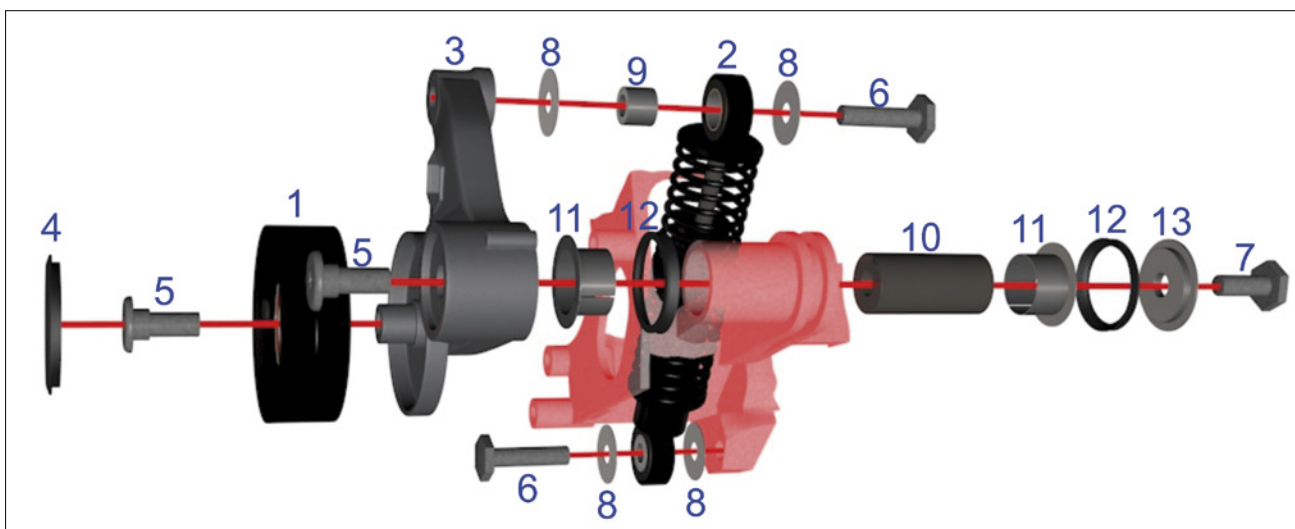


Image 3: 533 0118 10 – INA repair set for tensioning unit

Contents of repair set 533 0118 10:

1	Tensioner pulley	531 0751 30	9	Sleeve \varnothing 8,2x12*
2	Damper	533 0112 10	10	Pin M8x18x40*
3	Holder	533 0115 10*	11	Friction bearing \varnothing 18x20x12*
4	Protective cap*		12	Seal \varnothing 26 x 33 x 6
5	Fit bolt M8x10x25*		13	Washer \varnothing 8,2x16*
6	Bolt M8x32*			
7	Bolt M8x20*			
8	Washer \varnothing 8,2x24x1*			

*not available individually

Schaeffler Automotive Aftermarket recommends that all belt drive components are replaced while working on the assembly drive.

Note the specifications of the vehicle manufacturer!

Spare parts and technical information can be found under www.schaeffler-aftermarket.com or www.RepXpert.com.