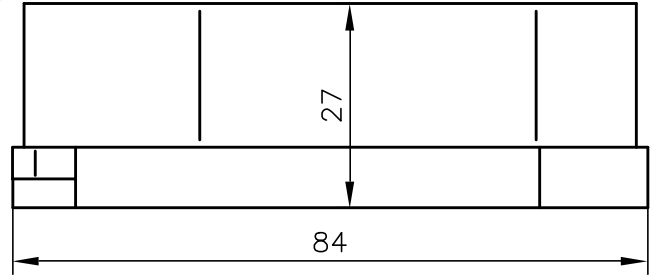
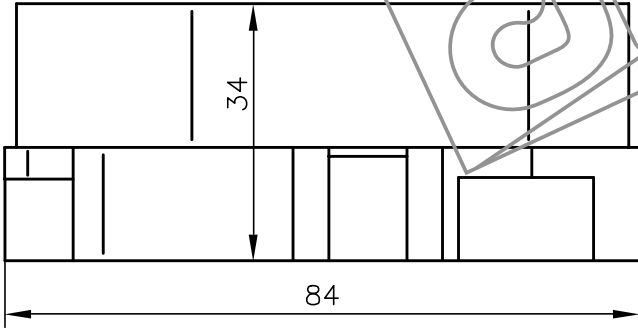


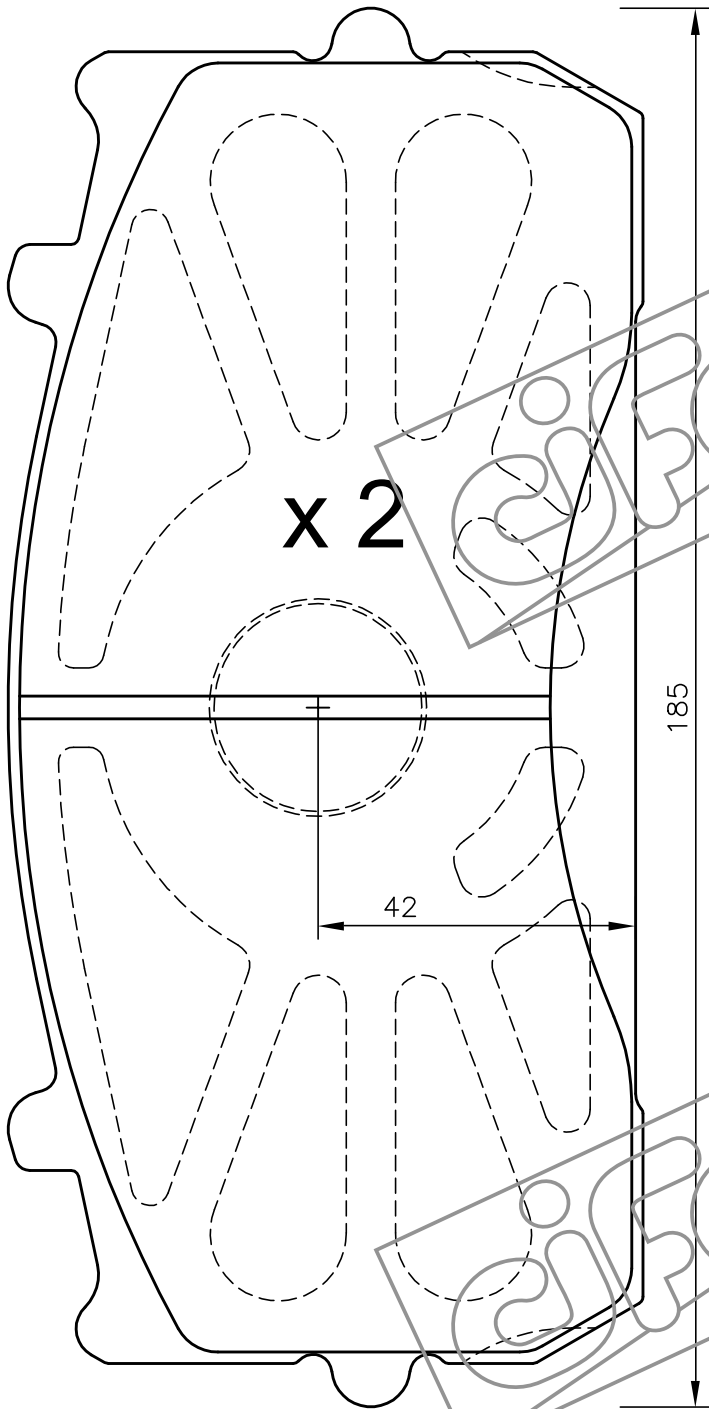
x 4



x 2

185

42



x 2

173.5

