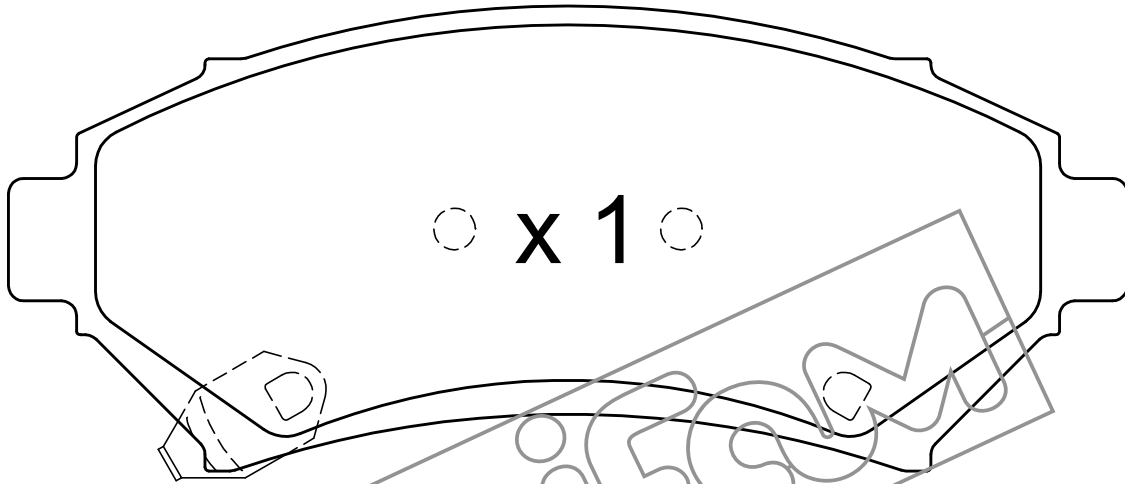
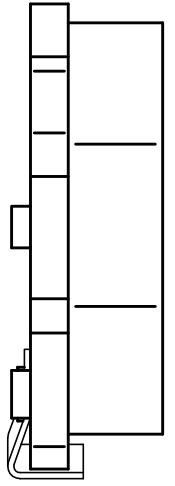
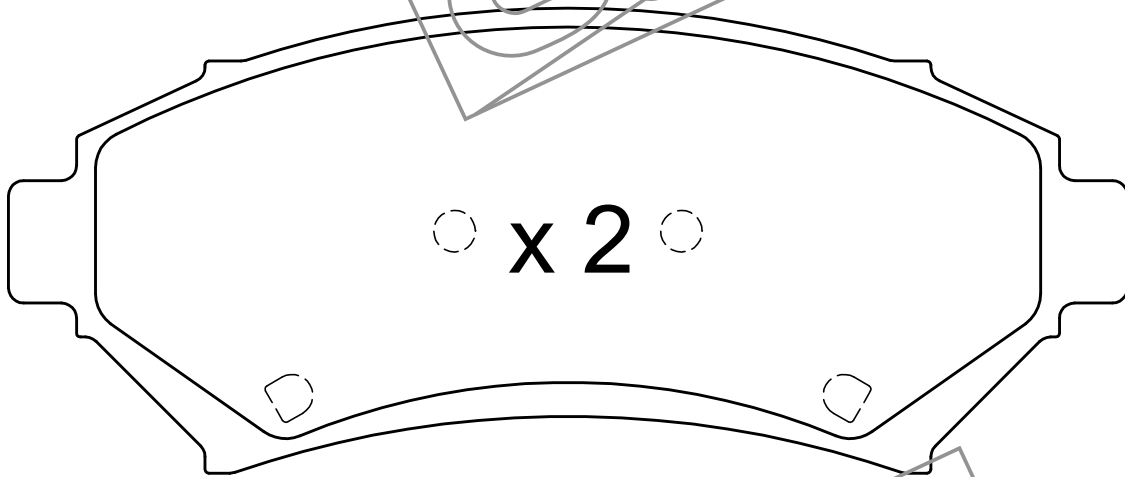
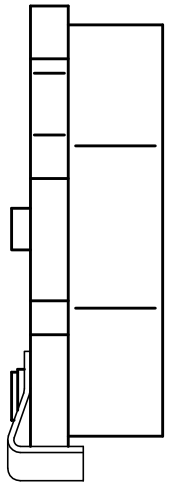


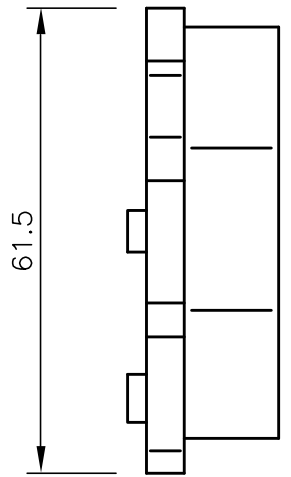
x 1



x 1



x 2



61.5

17.5

148

