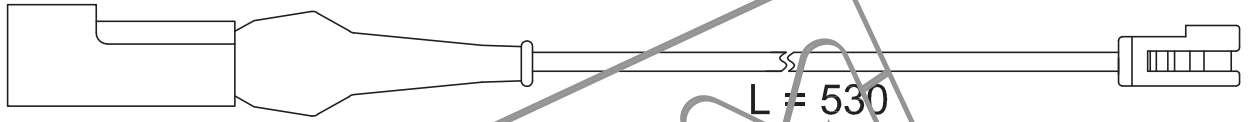
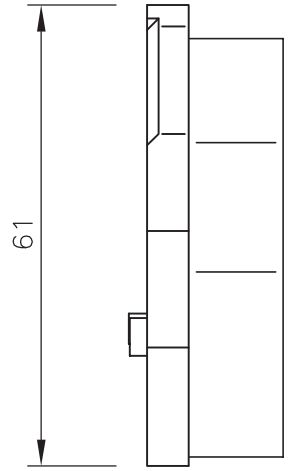
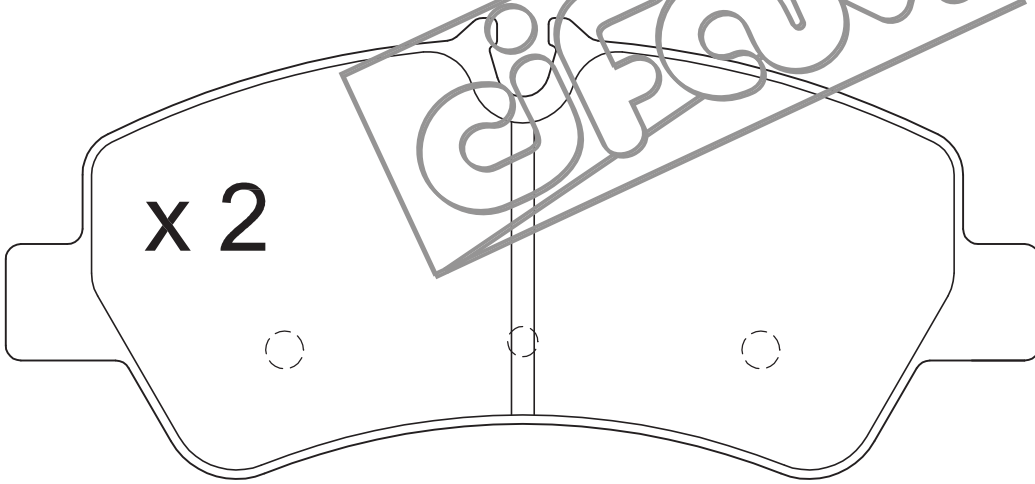


x 2



L = 530

x 2

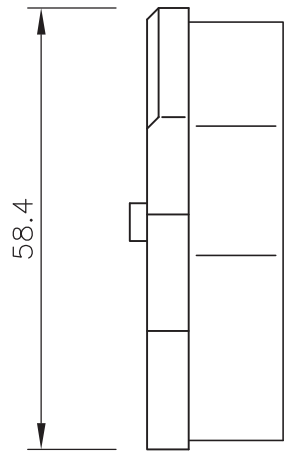
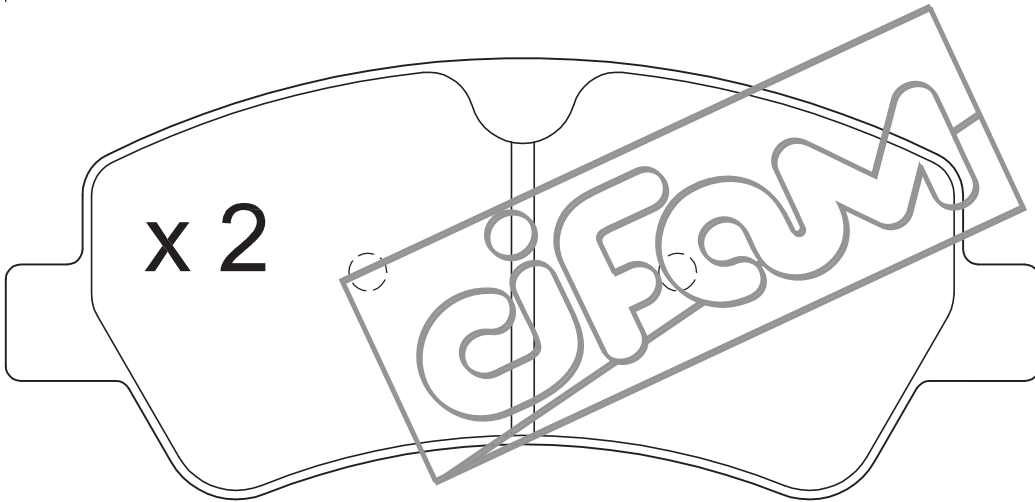


61

18

136.8

x 2



58.4

18

136.8

