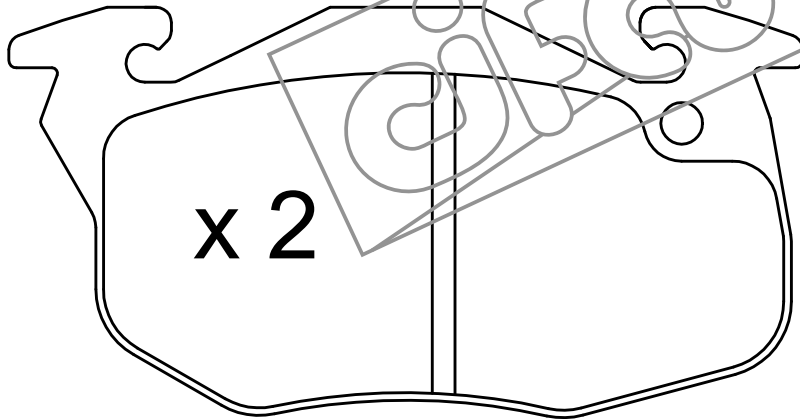
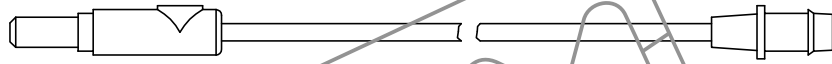
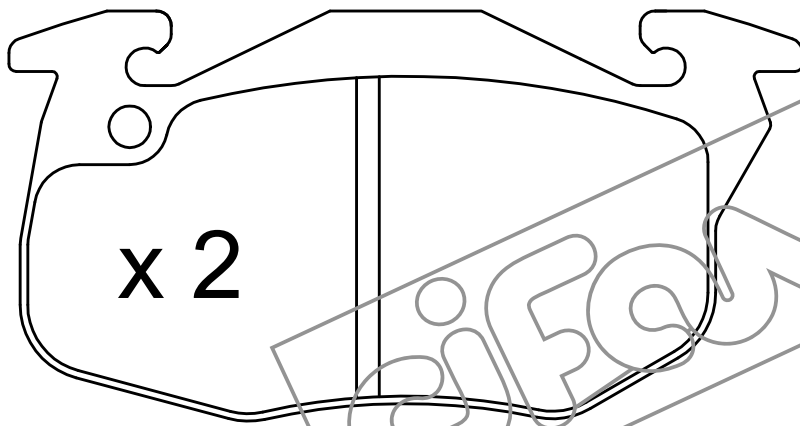
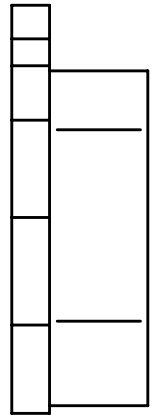


x 2

L = 140



x 2



x 2

